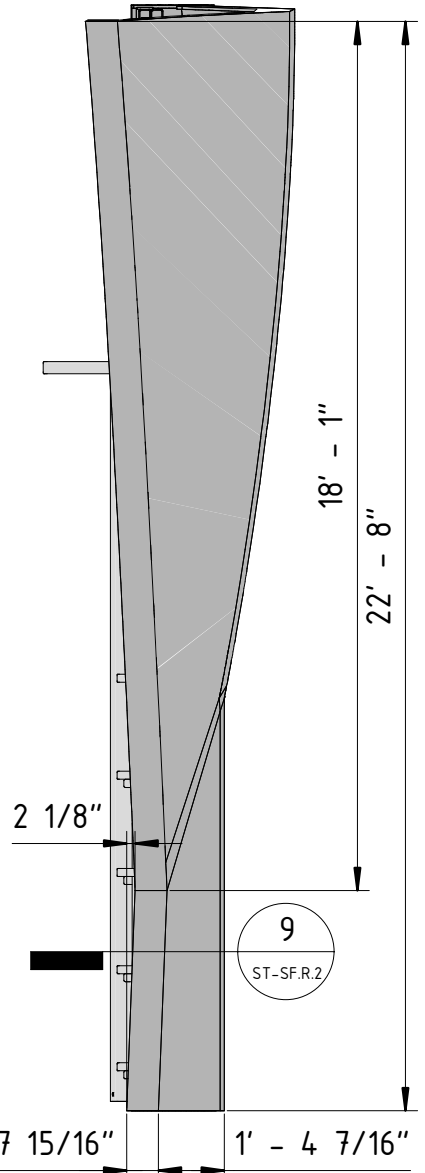
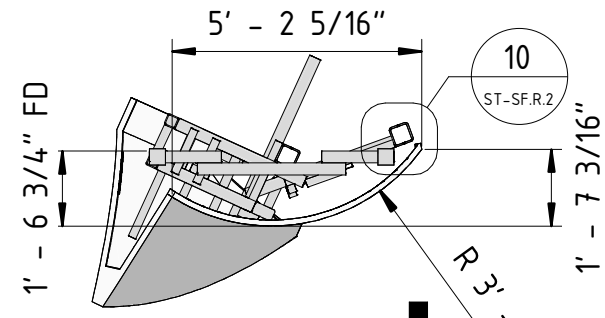
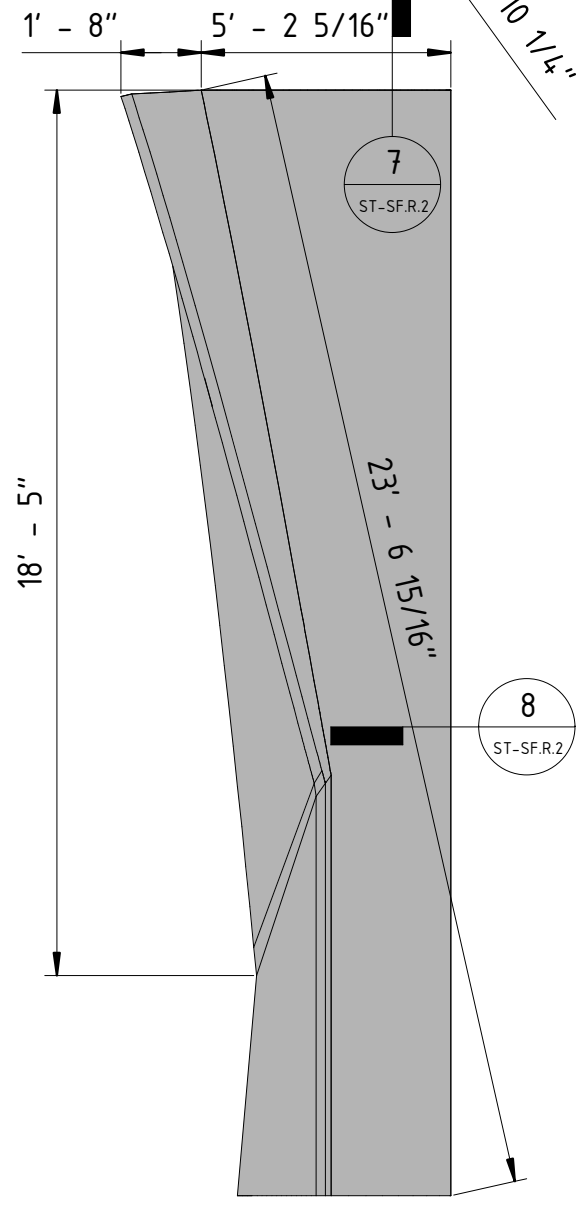


1 TOP VIEW
1/4" = 1'-0"

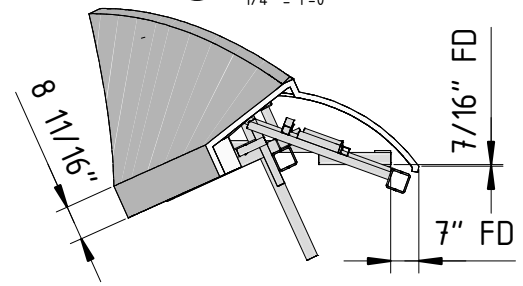


2 LEFT VIEW
1/4" = 1'-0"

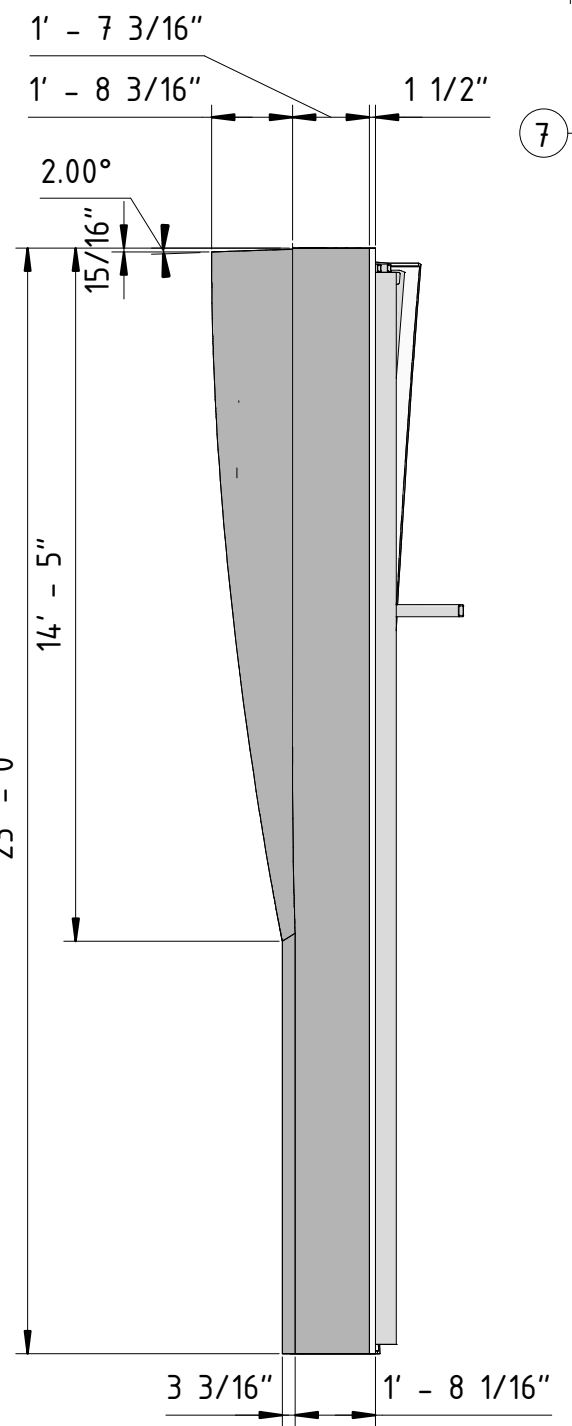
LEGEND:
 = FINISHED AREA
 APPROVED SIGNATURE: _____



3 FRONT VIEW
1/4" = 1'-0"

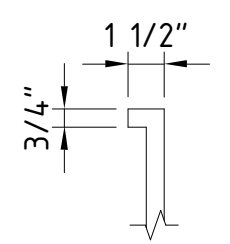


6 BOTTOM VIEW
1/4" = 1'-0"

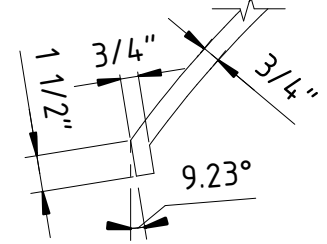


4 RIGHT VIEW
1/4" = 1'-0"

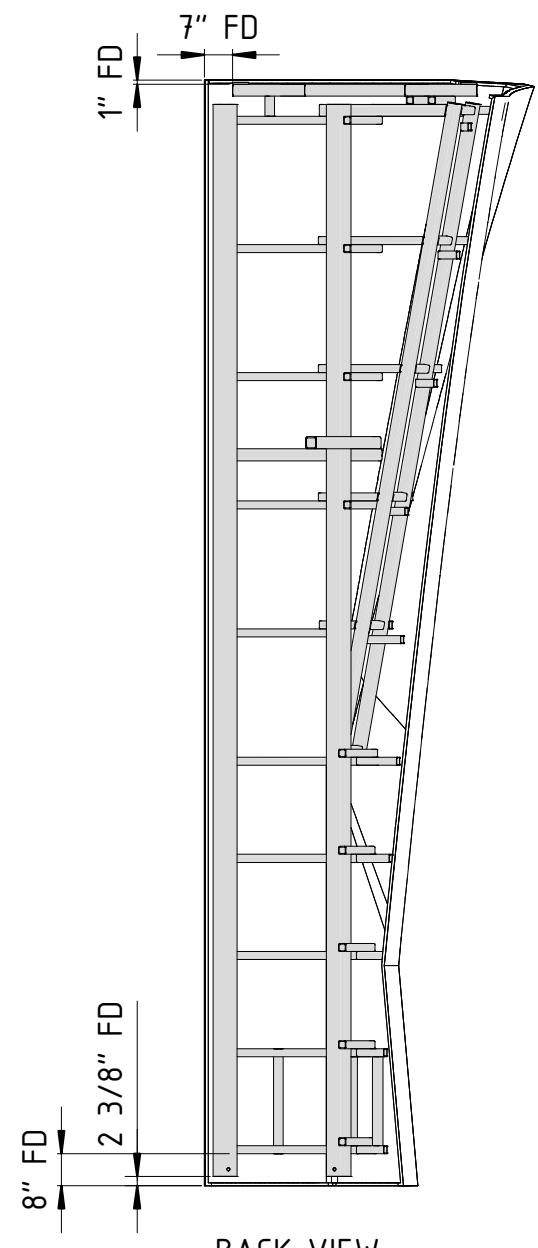
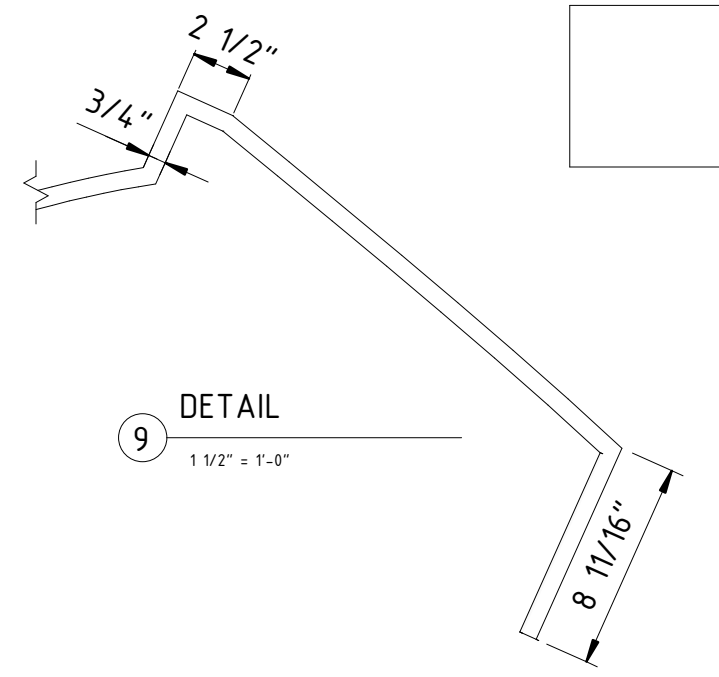
7 DETAIL
1 1/2" = 1'-0"



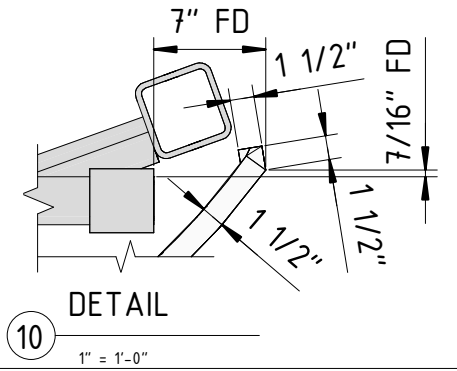
8 DETAIL
1 1/2" = 1'-0"



9 DETAIL
1 1/2" = 1'-0"



5 BACK VIEW
1/4" = 1'-0"



10 DETAIL
1" = 1'-0"

REVISIONS:

