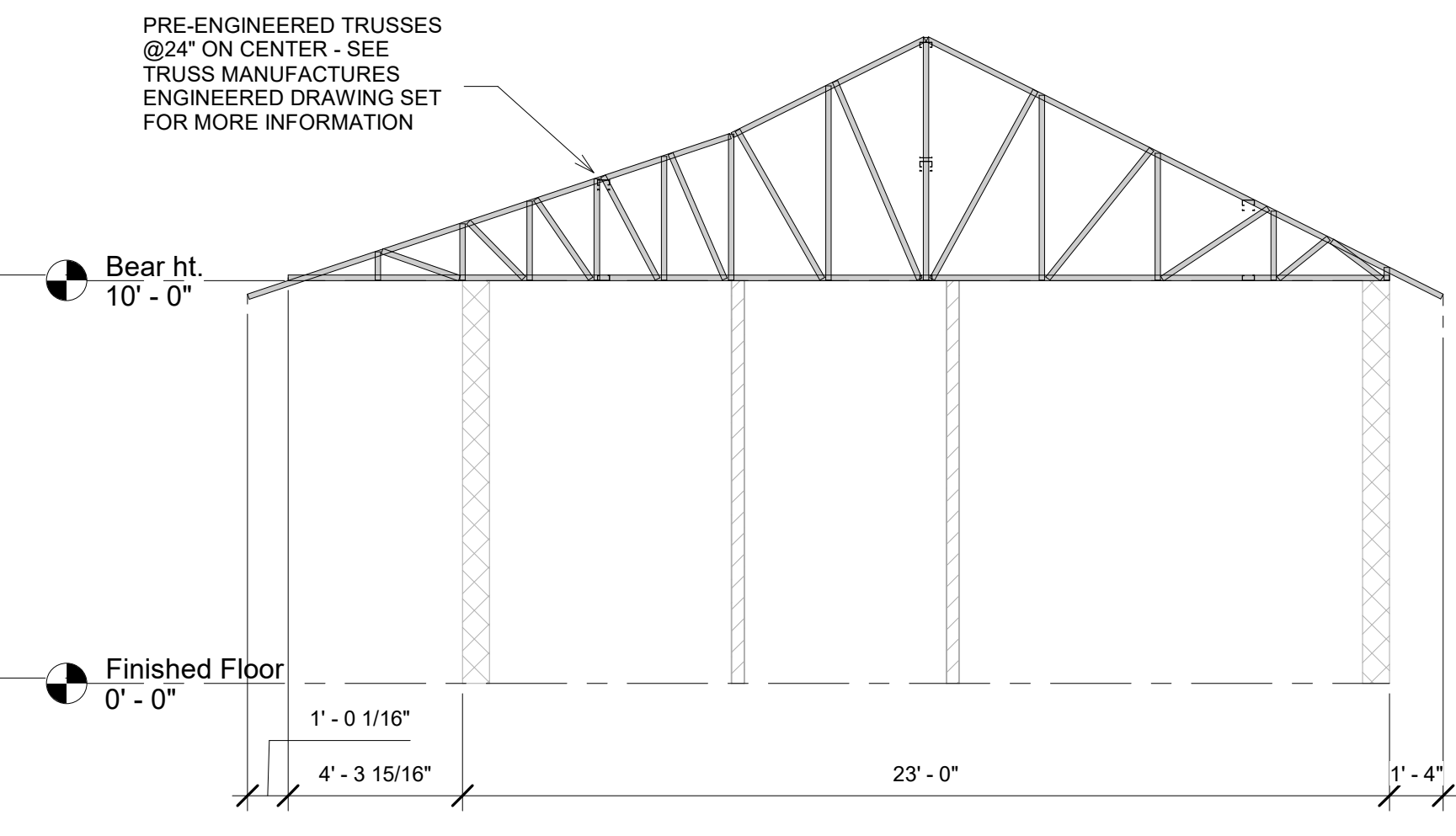
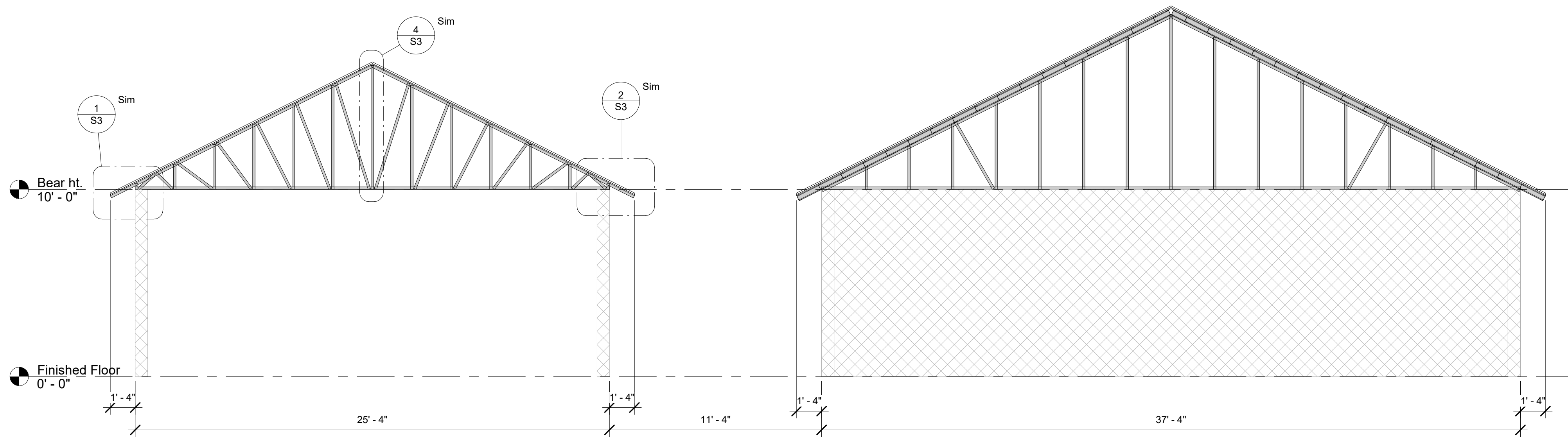


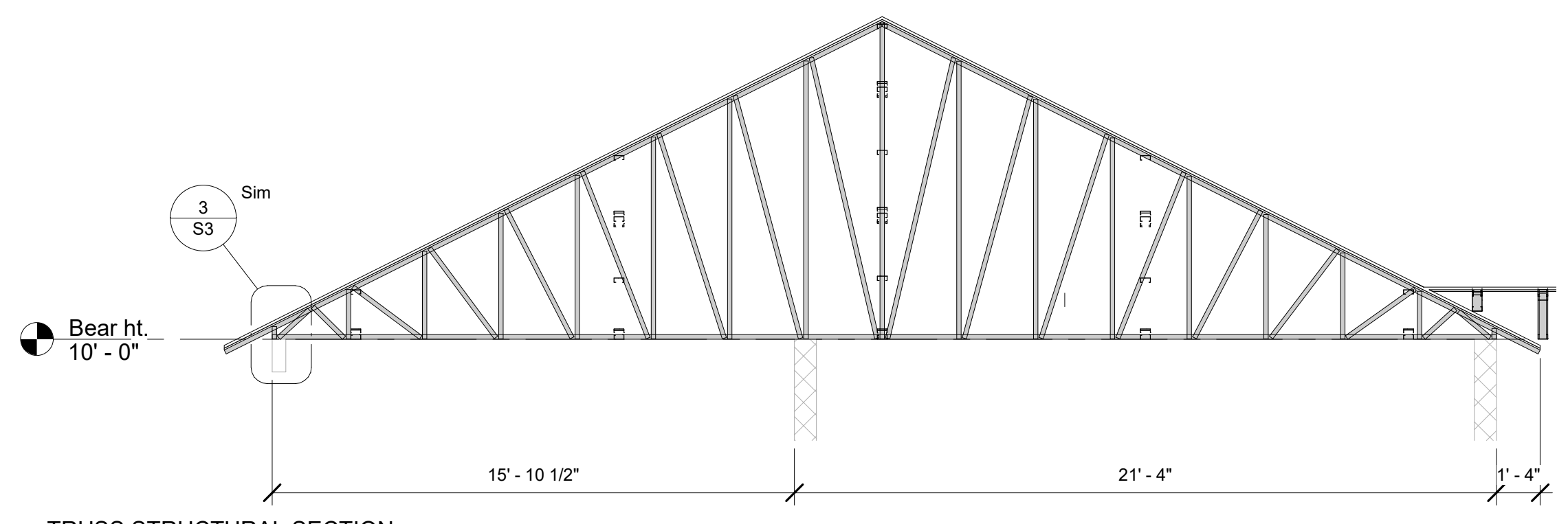
① TRUSS STRUCTURAL SECTION  
1/4" = 1'-0"



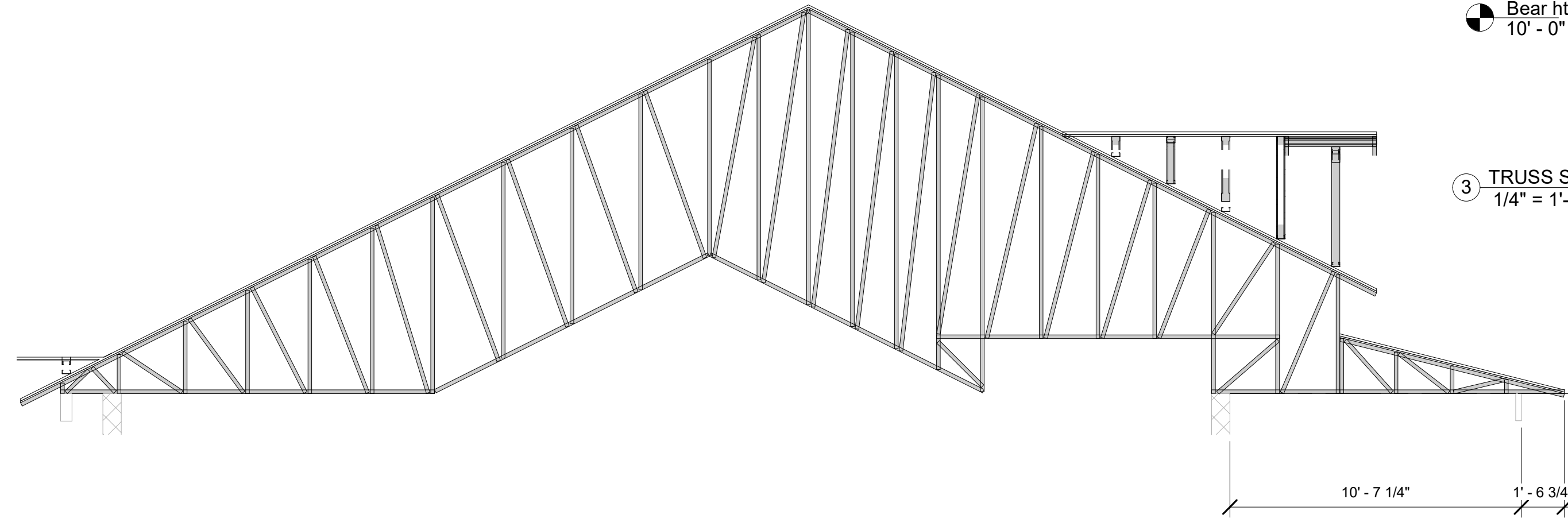
② TRUSS STRUCTURAL SECTION  
1/4" = 1'-0"



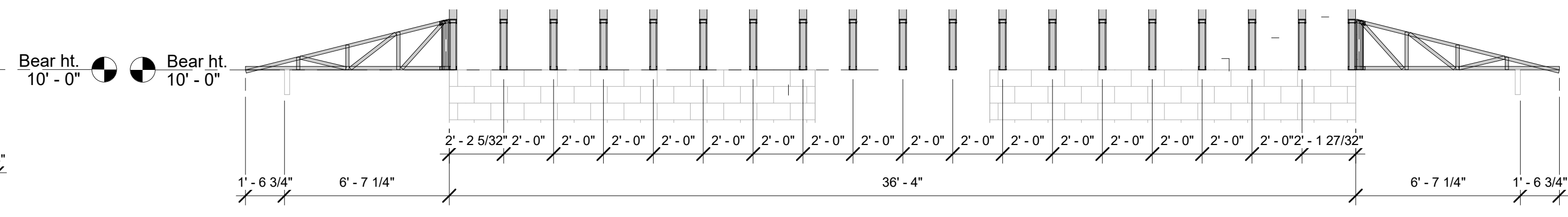
④ TRUSS STRUCTURAL SECTION  
1/4" = 1'-0"



③ TRUSS STRUCTURAL SECTION  
1/4" = 1'-0"



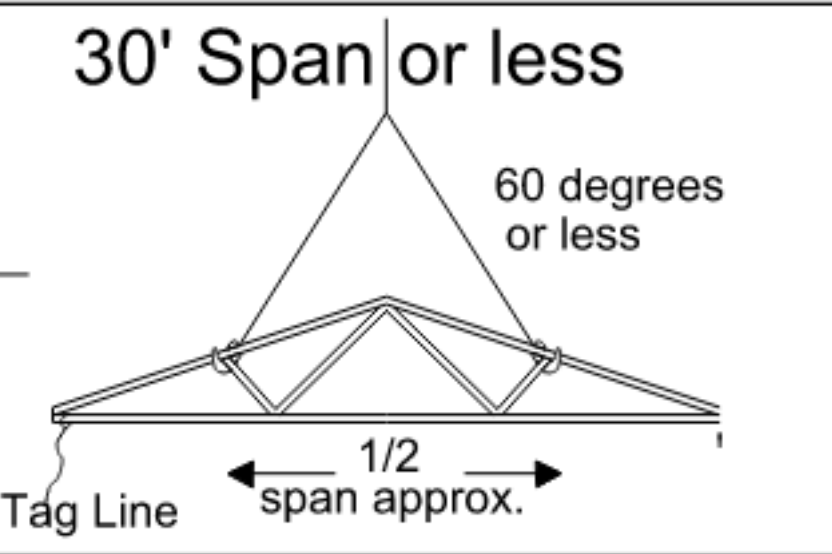
⑥ TRUSS STRUCTURAL SECTION  
1/4" = 1'-0"



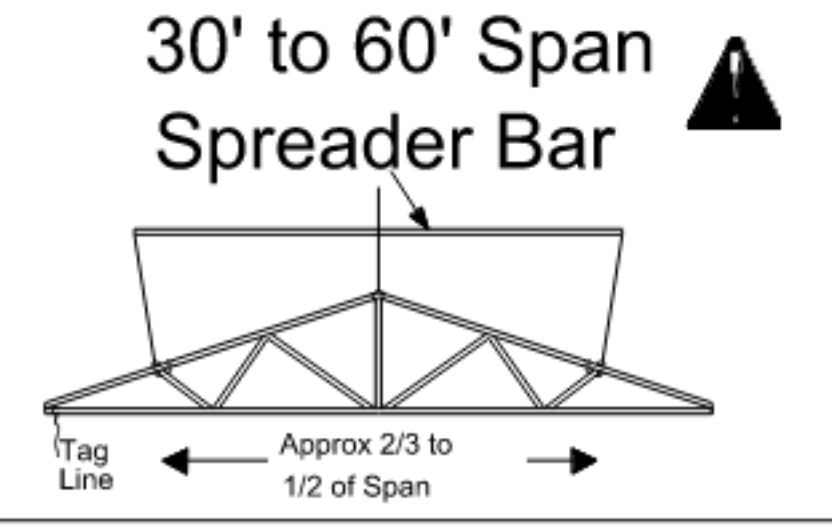
⑤ TRUSS STRUCTURAL SECTION  
1/4" = 1'-0"

### Truss Design Summary

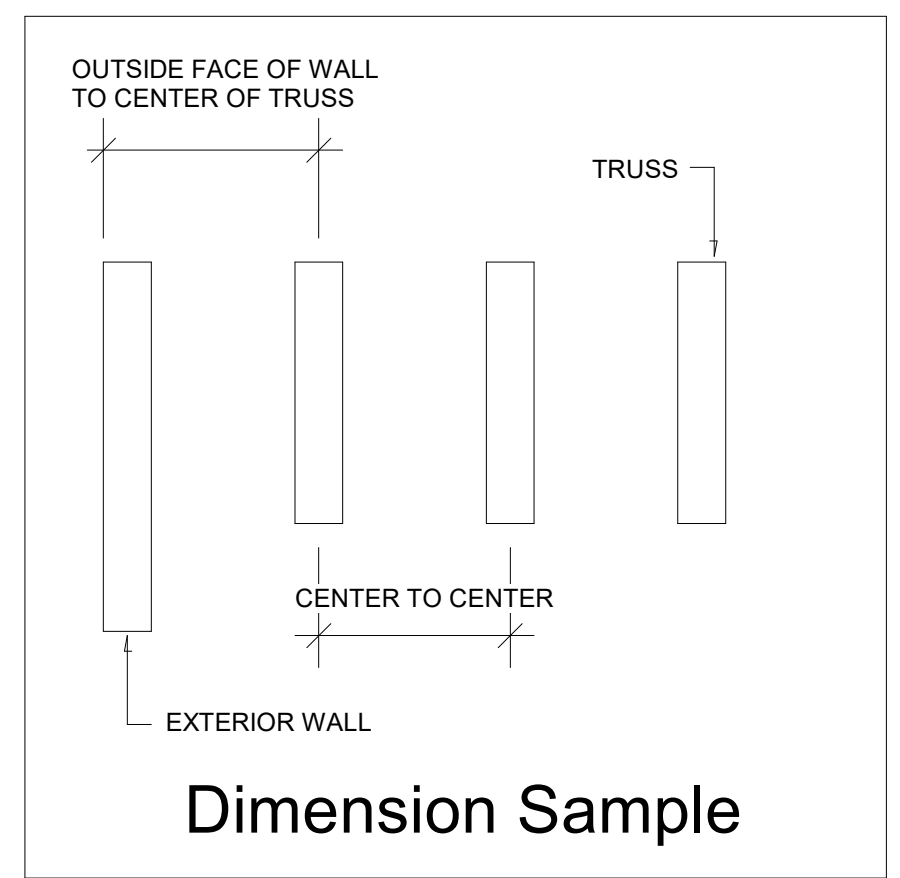
Loading Code	IBC 2018
Top Chord Live	20
Top Chord Dead	05
Bottom Chord Live	00
Bottom Chord Dead	05
Snow Load	00
Wind Load Provisions	ASCE7-16
Wind Speed	134
Exposure Category	C
Risk Category	II
Roof Pitch	6/12
BC Restraints	2'-0"



REFER TO CFSBCI  
Truss must be set this way if crane used.  
Truss is an example, your truss may not match.  
Insist crane operator sets truss this way.



REFER TO CFSBCI  
Truss must be set this way if crane used.  
This is an example, truss may not match.  
Insist crane operator sets truss this way.



THIS DRAWING IS NOT FINAL OR TO BE USED FOR CONSTRUCTION UNTIL IT IS SIGNED BY THE ENGINEER

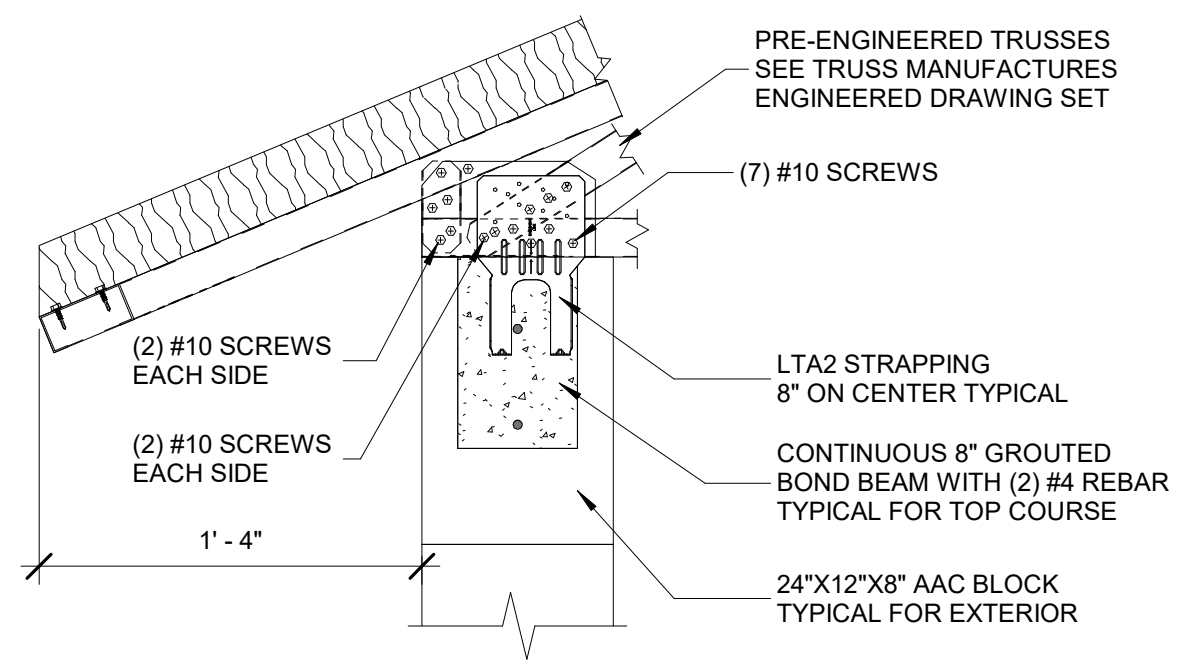
SHEET NUMBER: **S2**

SHEET NAME: **TRUSS STRUCTURAL SECTIONS**

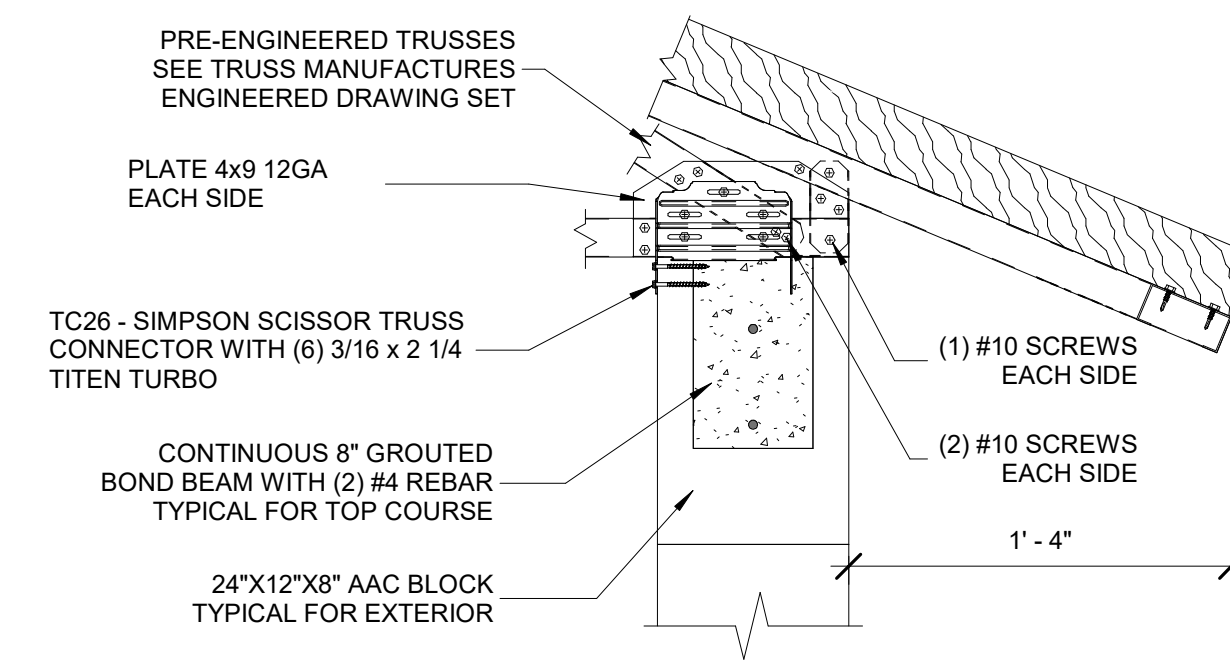
DRAWN BY \_\_\_\_\_

CHECKED BY \_\_\_\_\_

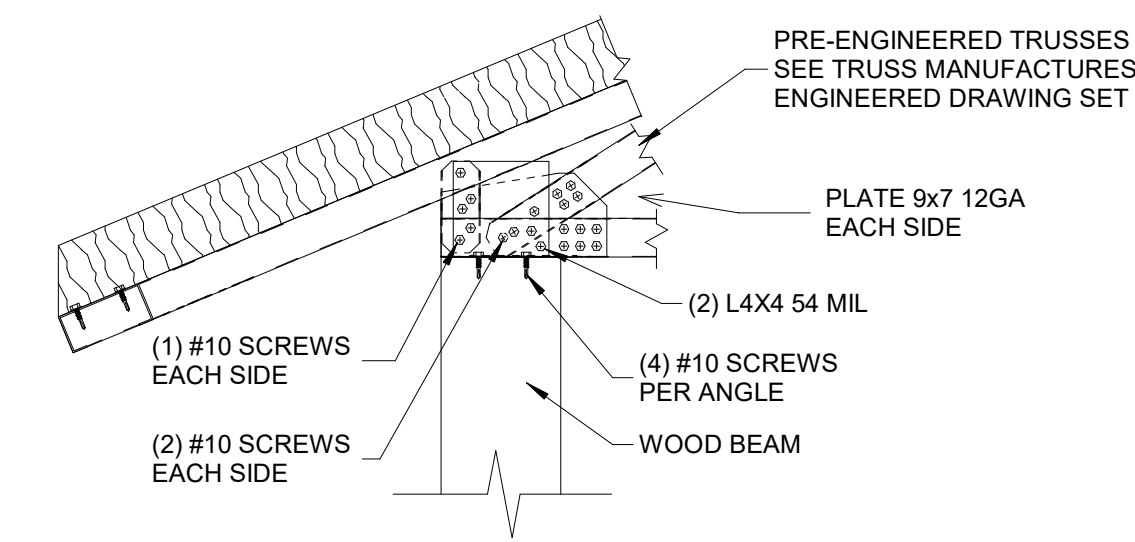
PROJECT NUMBER \_\_\_\_\_



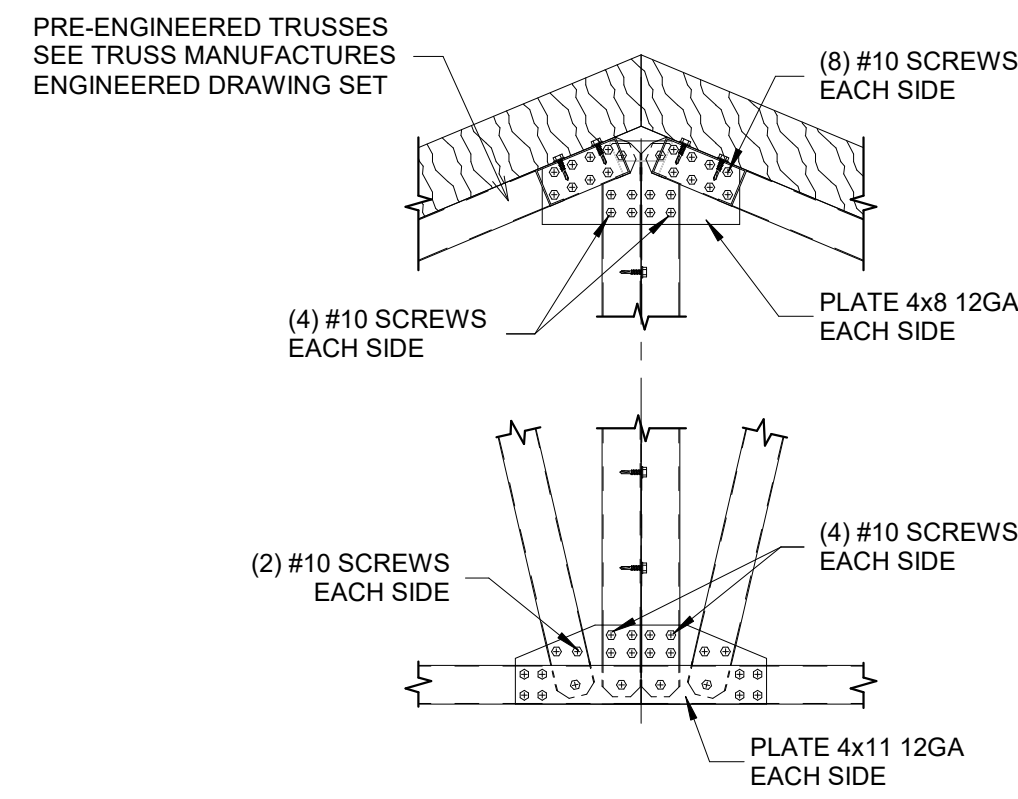
① TRUSS TO AAC WALL DETAIL  
1 1/2" = 1'-0"



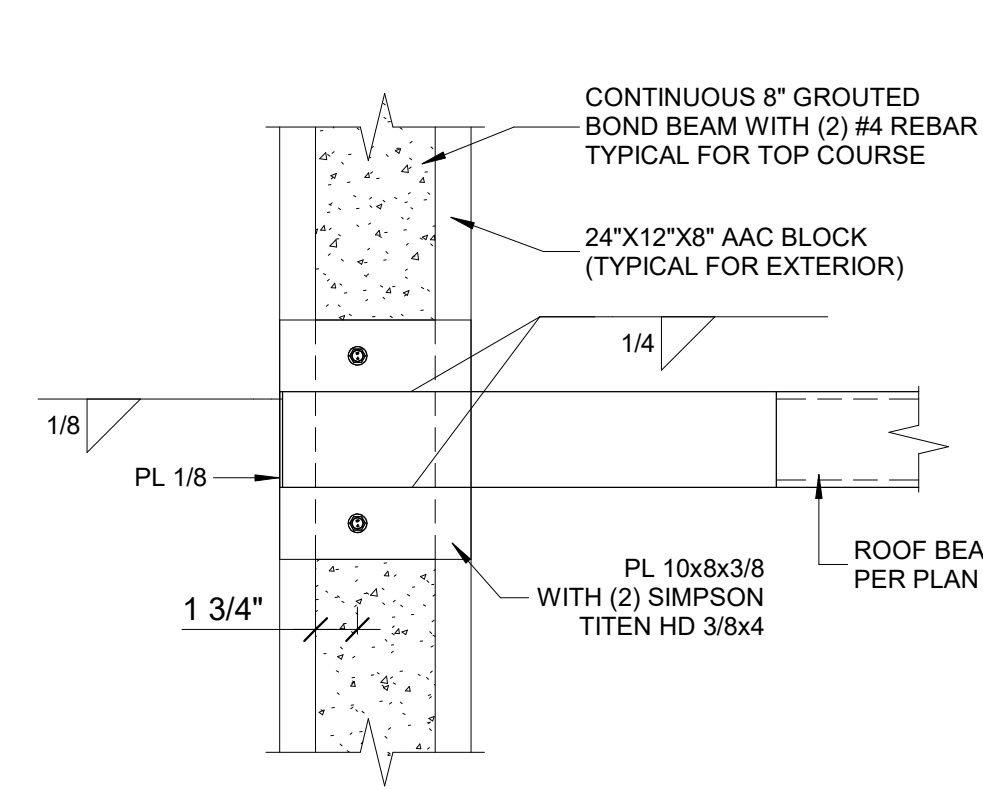
② TRUSS TO AAC WALL SLIDING DETAIL  
1 1/2" = 1'-0"



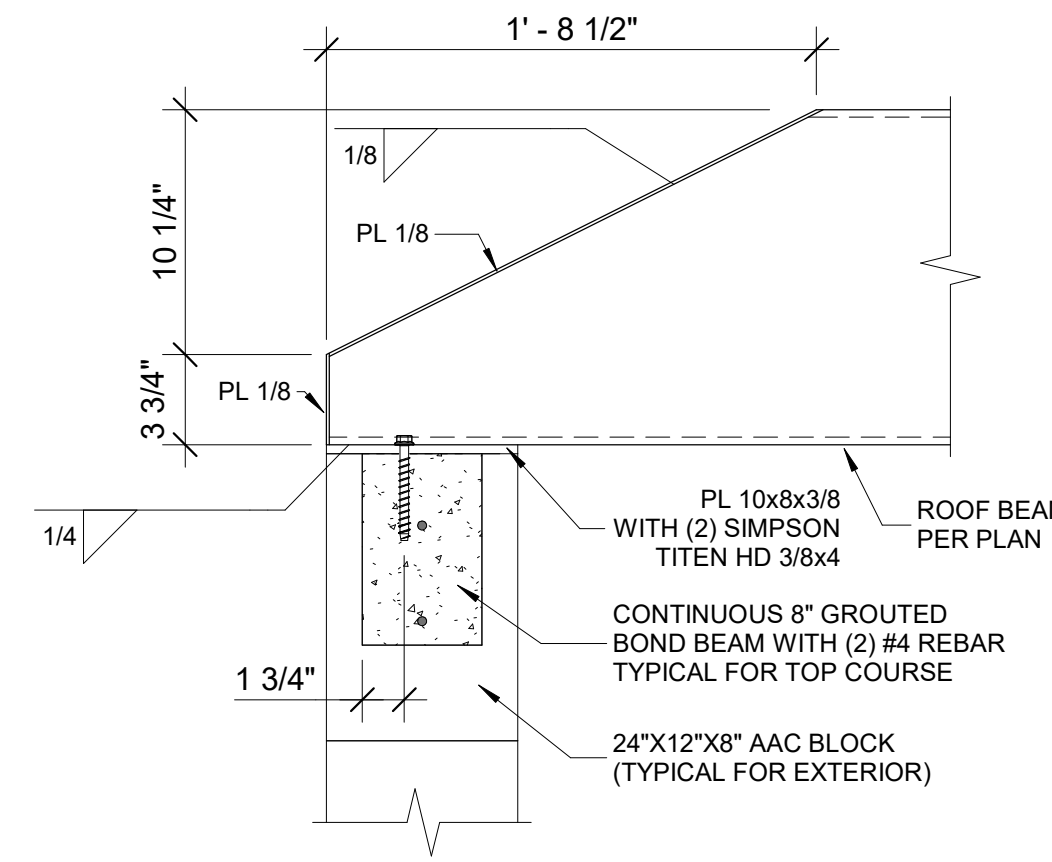
③ TRUSS TO WOOD BEAM DETAIL  
1 1/2" = 1'-0"



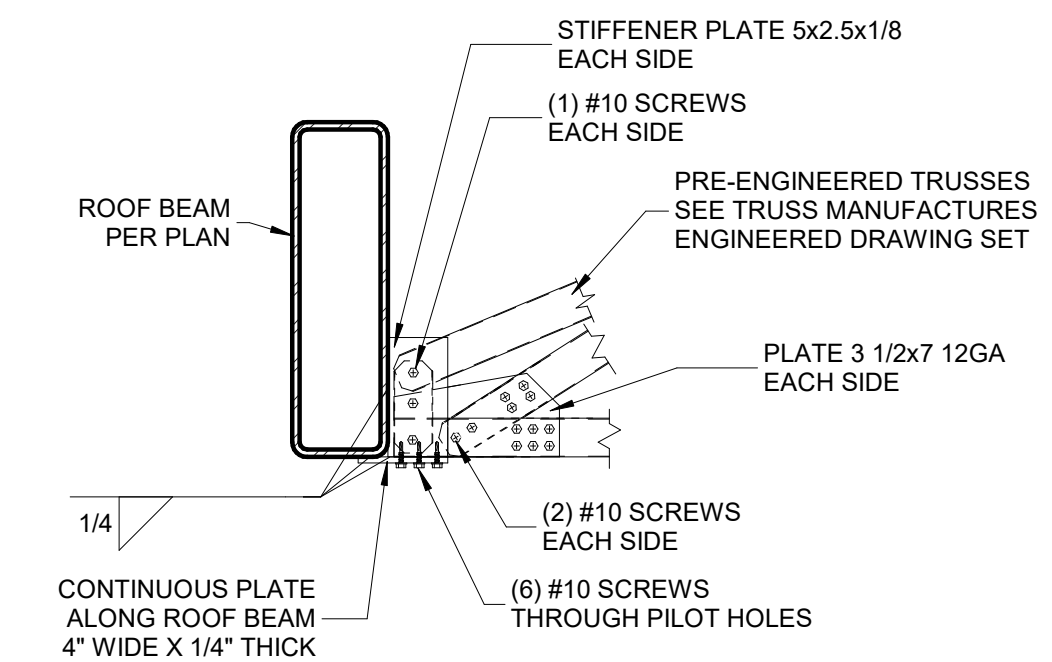
④ TRUSS TO TRUSS DETAIL  
1 1/2" = 1'-0"



⑤ ROOF BEAM TO AAC WALL DETAIL  
1 1/2" = 1'-0"



⑥ TRUSS TO ROOF BEAM DETAIL  
1 1/2" = 1'-0"



THIS DRAWING IS NOT FINAL OR TO BE USED FOR  
CONSTRUCTION UNTIL IT IS SIGNED BY THE ENGINEER

SHEET NUMBER:  
**S3**

DRAWN BY \_\_\_\_\_

CHECKED BY \_\_\_\_\_

PROJECT NUMBER \_\_\_\_\_

SHEET NAME:  
**ROOF  
STRUCTURAL  
CONNECTIONS**