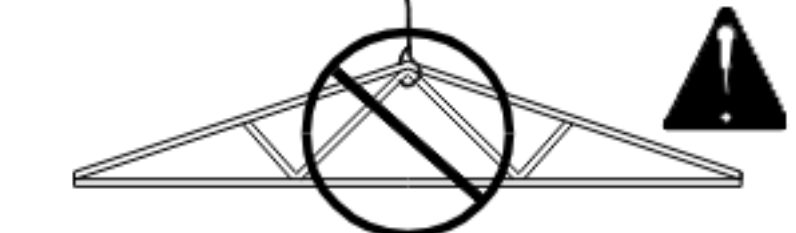


1 1ST FLOOR ROOF STRUCTURAL PLAN
3/16" = 1'-0"

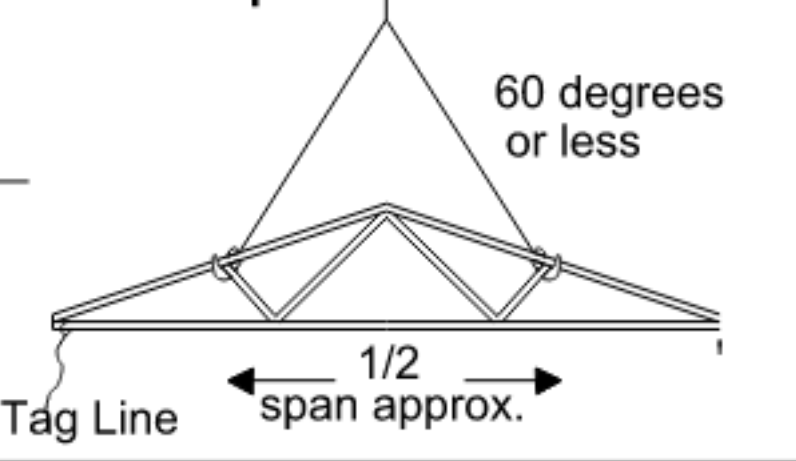
Truss Design Summary

Loading Code	IBC 2018
Top Chord Live	20
Top Chord Dead	05
Bottom Chord Live	00
Bottom Chord Dead	05
Snow Load	00
Wind Load Provisions	ASCE7-16
Wind Speed	155
Exposure Category	C
Risk Category	II
Roof Pitch	5/12
BC Restraints	2'-0"



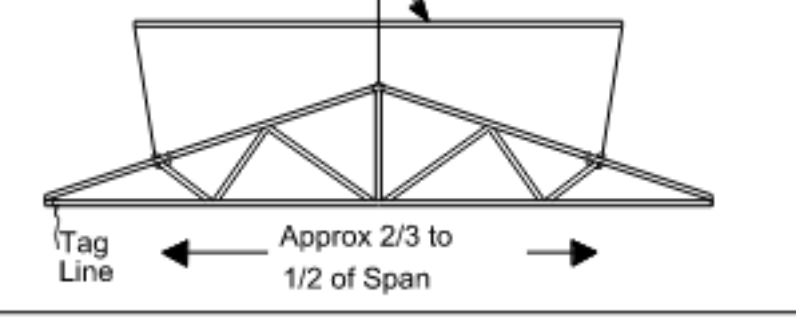
DON'T LIFT TRUSSES WITH SPANS LONGER THAN 30' BY THE PEAK. CONSULT CFSBCI

30' Span or less

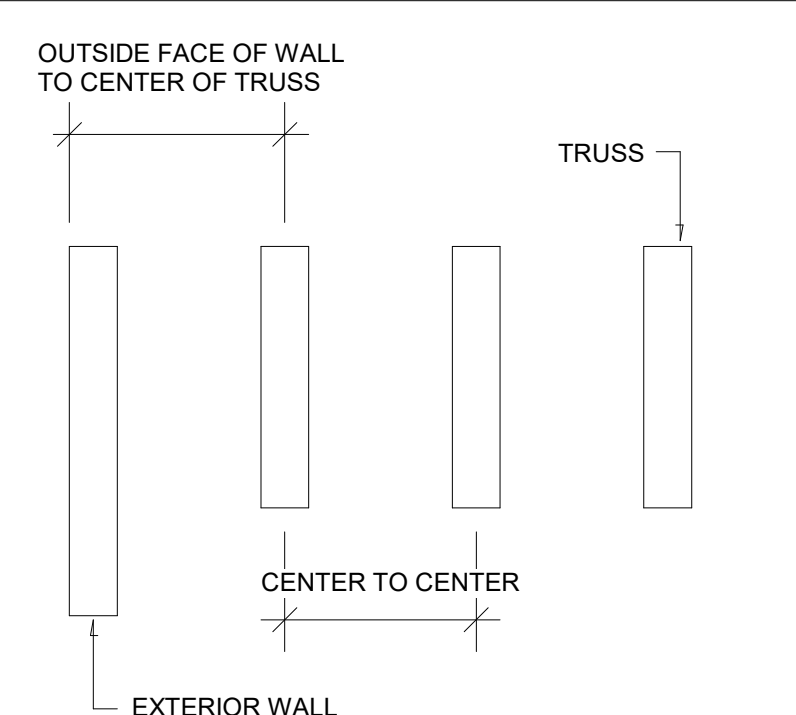


REFER TO CFSBCI
Truss must be set this way if crane used.
Truss is an example, your truss may not match.
Insist crane operator sets truss this way.

30' to 60' Span Spreader Bar



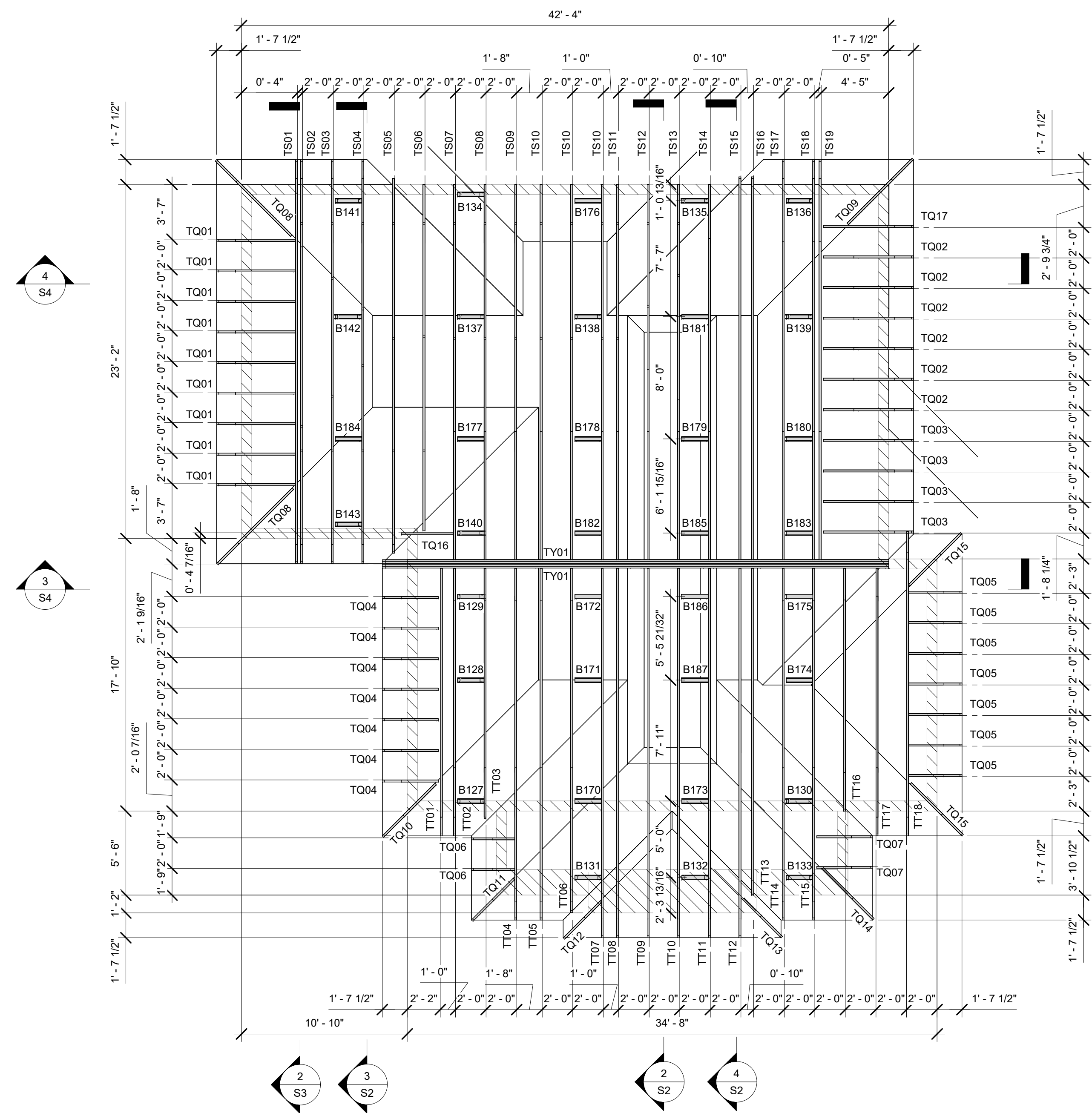
REFER TO CFSBCI
Truss must be set this way if crane used.
This is an example, truss may not match.
Insist crane operator sets truss this way.



Dimension Sample

THIS DRAWING IS NOT FINAL OR TO BE USED FOR CONSTRUCTION UNTIL IT IS SIGNED BY THE ENGINEER

SHEET NUMBER: **S1**
SHEET NAME: **ROOF FRAMING PLANS**
DRAWN BY _____
CHECKED BY _____
PROJECT NUMBER _____



1 2ND FLOOR ROOF STRUCTURAL PLAN
3/16" = 1'-0"

EXTERIOR BEARING ELEVATIONS

Exterior wall locations per Structural Drawings.

Load-bearing elevations for supporting trusses

10 ft	
12 ft	
16 ft	
24 ft 6 in	

See General Notes & Specifications for additional requirements and material specifications.
All dimensions per Architectural plans

INTERIOR LOAD-BEARING PARTITION

Stud wall locations per Shop Drawings.

Load-bearing partition for supporting trusses

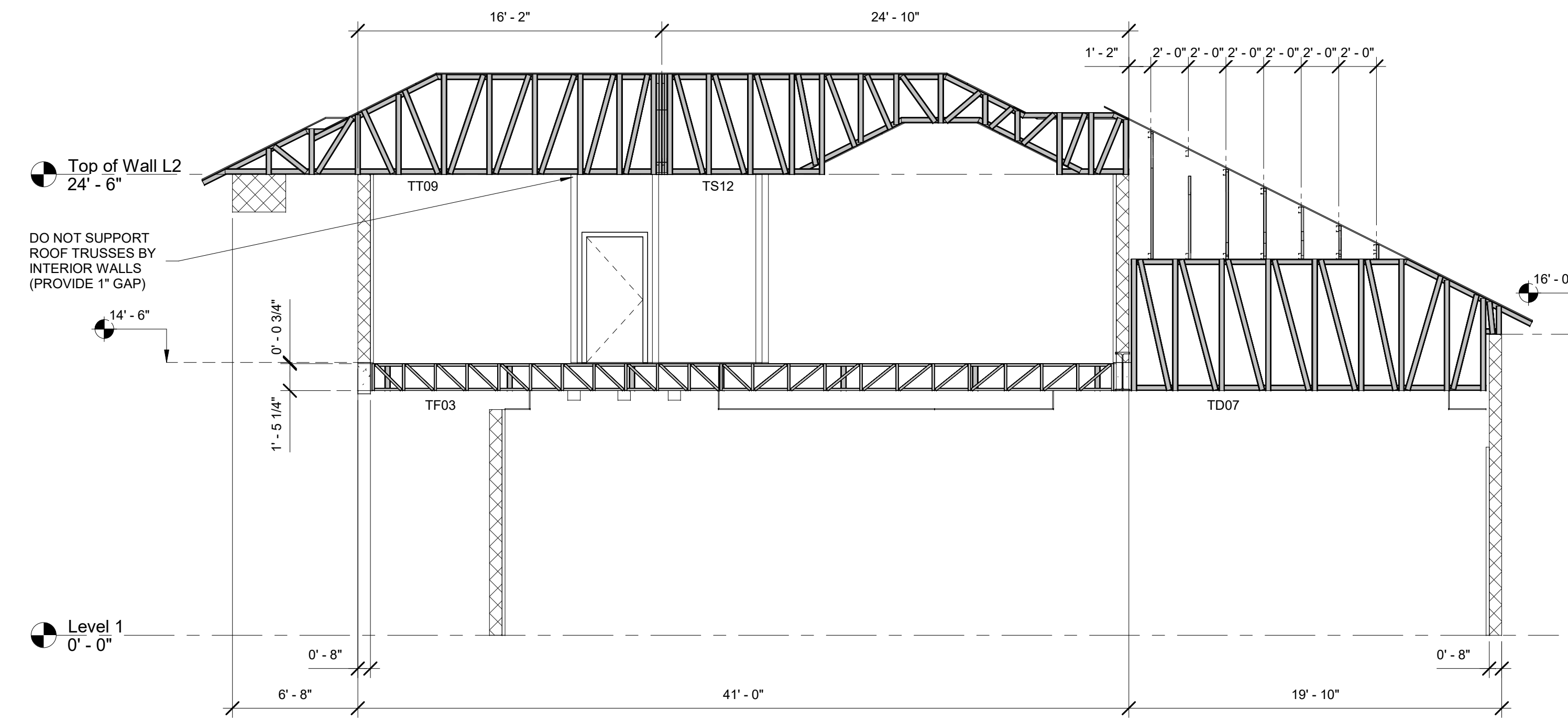
--

See General Notes & Specifications for additional requirements and material specifications.
All dimensions per Architectural plans

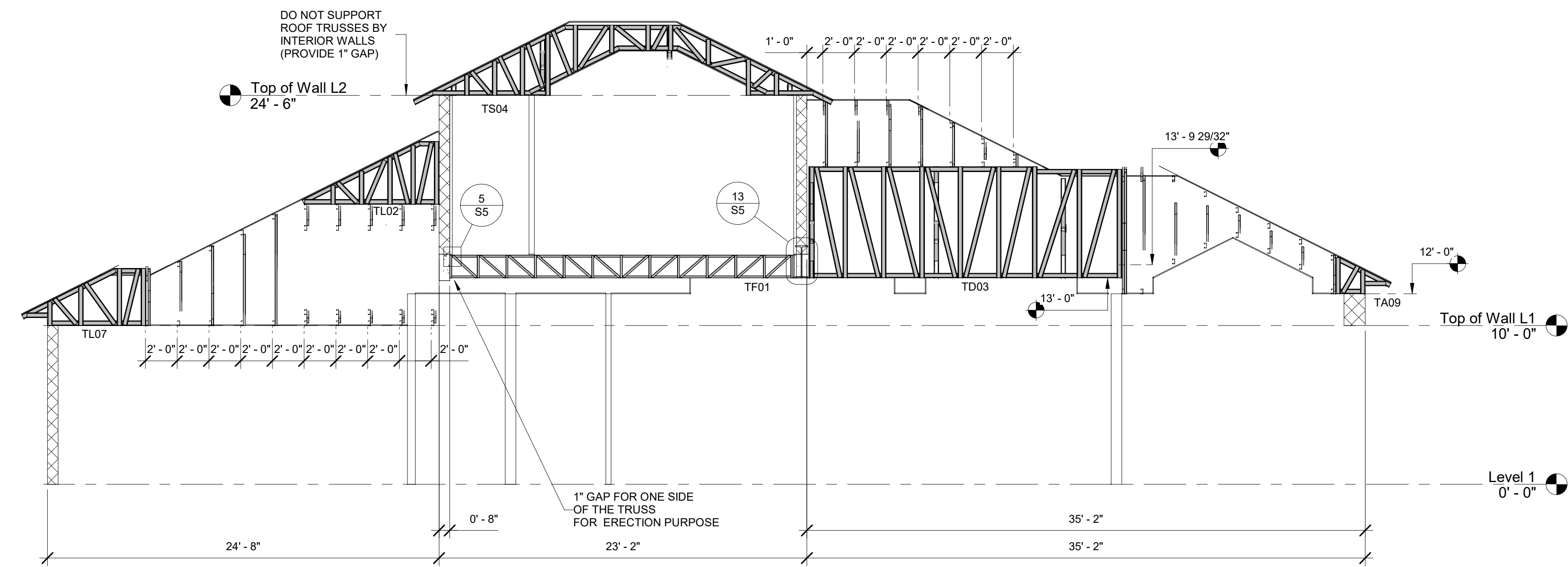
CEILING NOTES

Ceiling elevations and niche location see Architectural plans

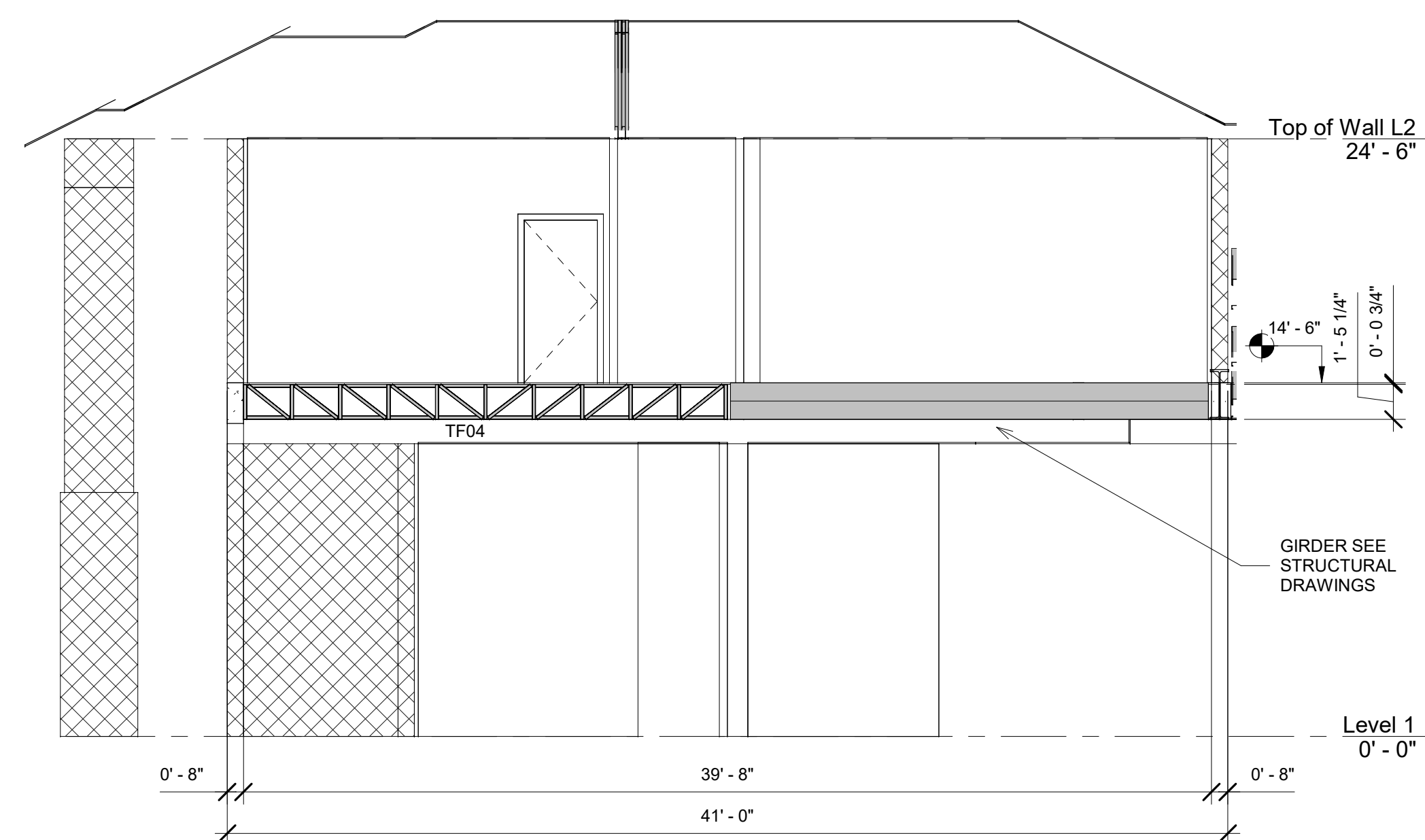
Miscellaneous ceiling framing conditions shown on Architectural plans will be required to complete by Builder



2 STRUCTURAL SECTION
3/16" = 1'-0"



3 STRUCTURAL SECTION
3/16" = 1'-0"



4 STRUCTURAL SECTION
3/16" = 1'-0"

THIS DRAWING IS NOT FINAL OR TO BE USED FOR CONSTRUCTION UNTIL IT IS SIGNED BY THE ENGINEER

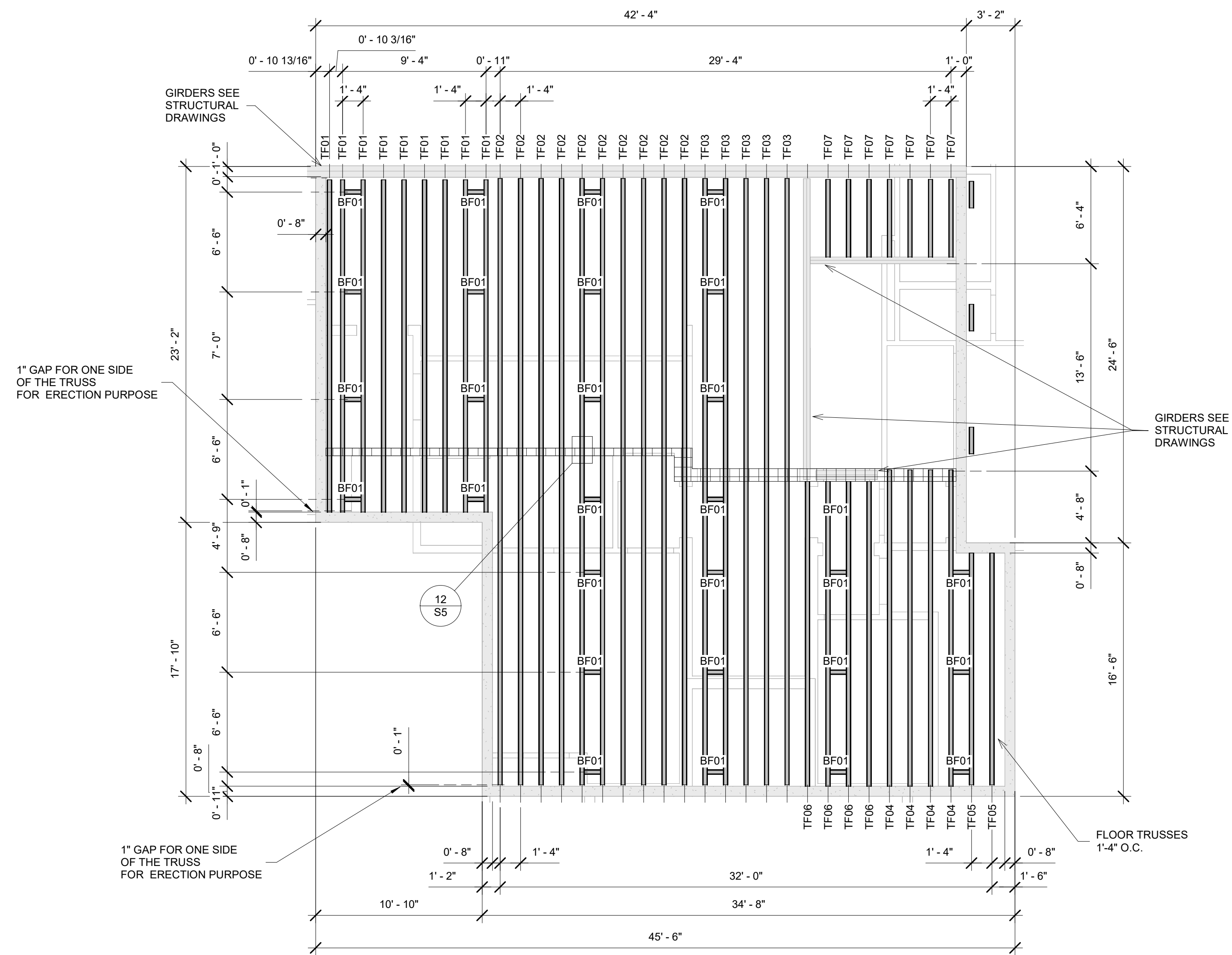
SHEET NUMBER:
S2

SHEET NAME:
ROOF FRAMING PLANS

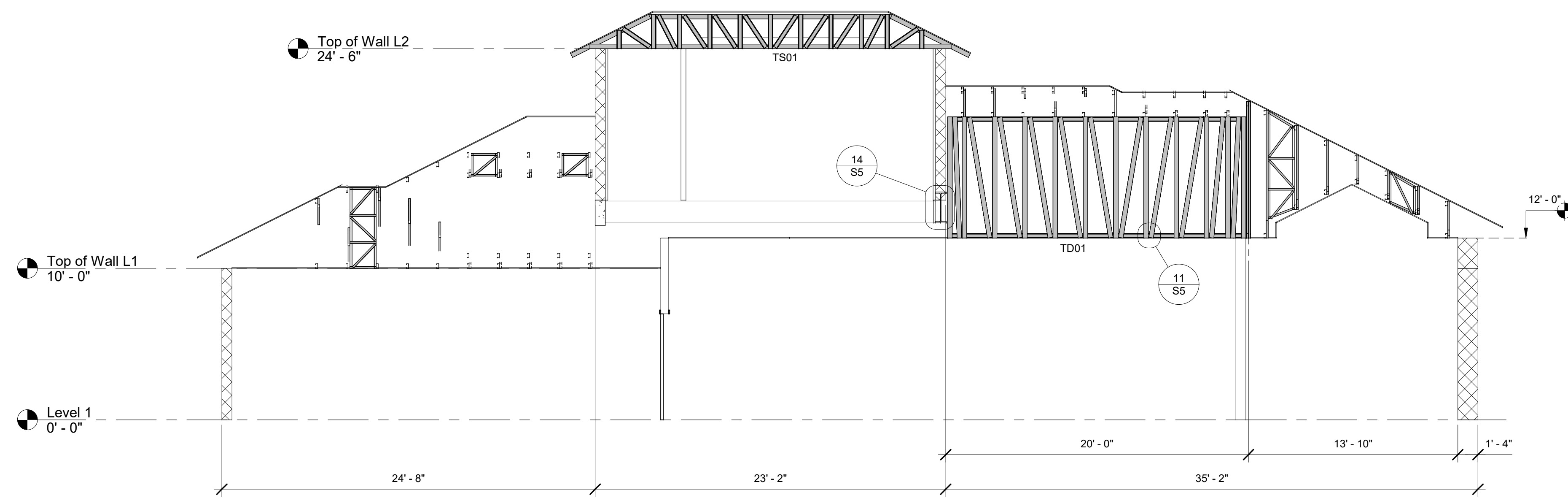
DRAWN BY _____

CHECKED BY _____

PROJECT NUMBER _____



① 2ND FLOOR TRUSSES STRUCTURAL PLAN
3/16" = 1'-0"

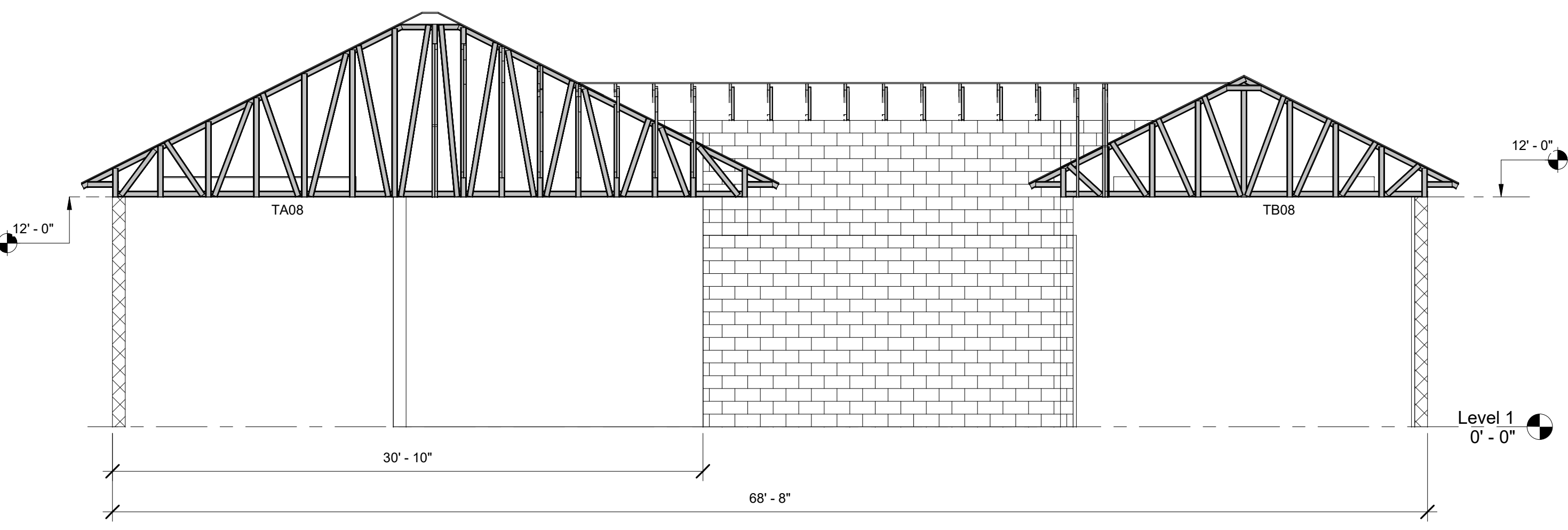


② STRUCTURAL SECTION
3/16" = 1'-0"

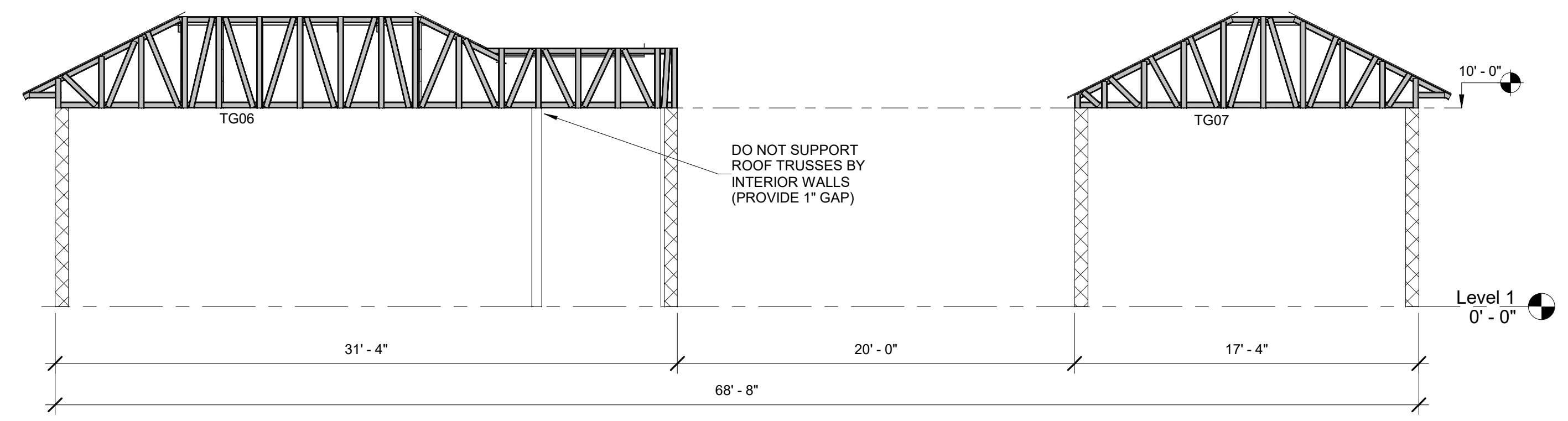


THIS DRAWING IS NOT FINAL OR TO BE USED FOR CONSTRUCTION UNTIL IT IS SIGNED BY THE ENGINEER

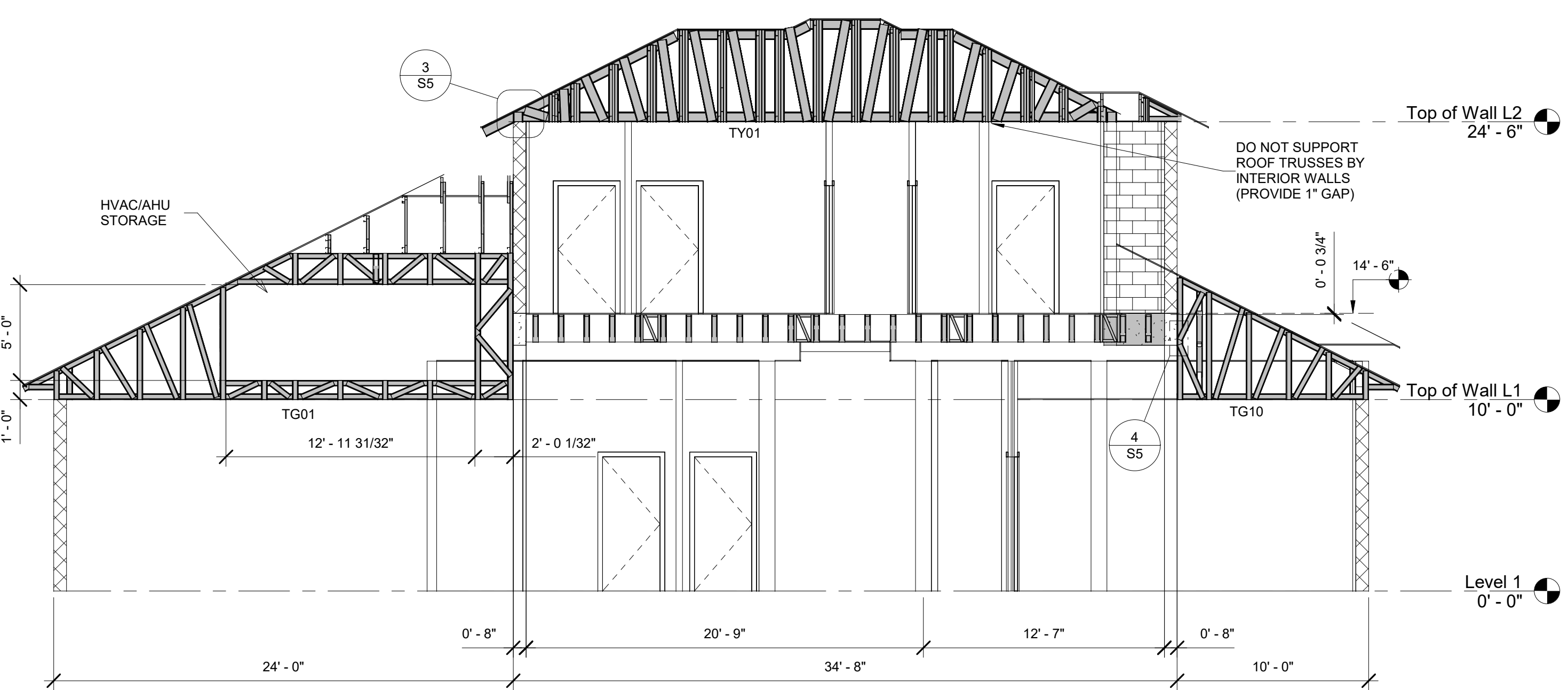
SHEET NUMBER:
S3
DRAWN BY _____
CHECKED BY _____
PROJECT NUMBER _____
SHEET NAME:
FLOOR TRUSSES FRAMING PLANS



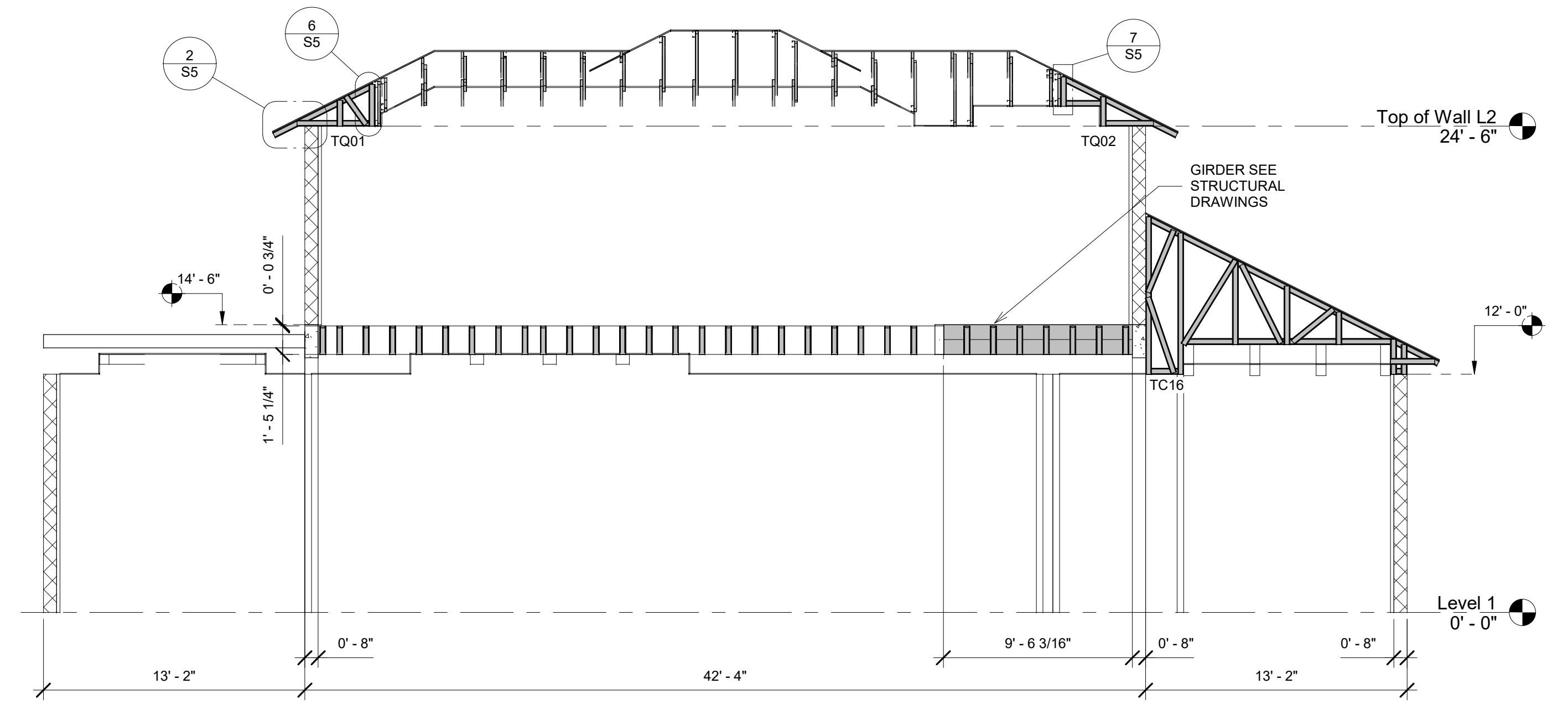
1 STRUCTURAL SECTION
3/16" = 1'-0"



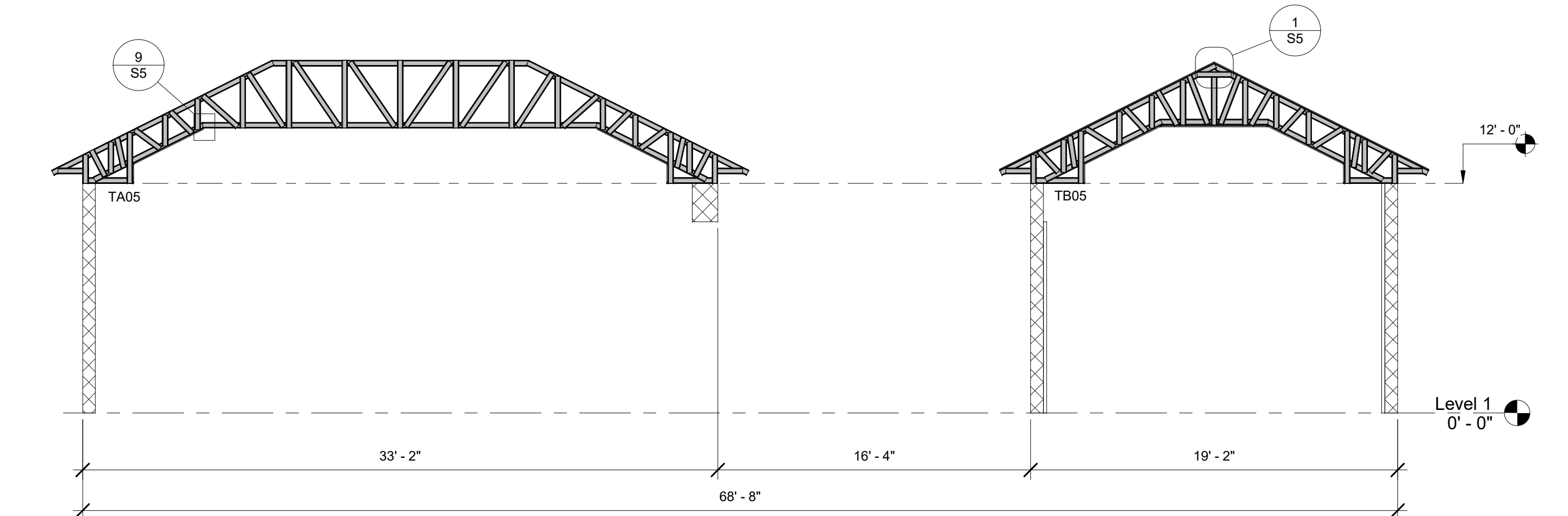
2 STRUCTURAL SECTION
3/16" = 1'-0"



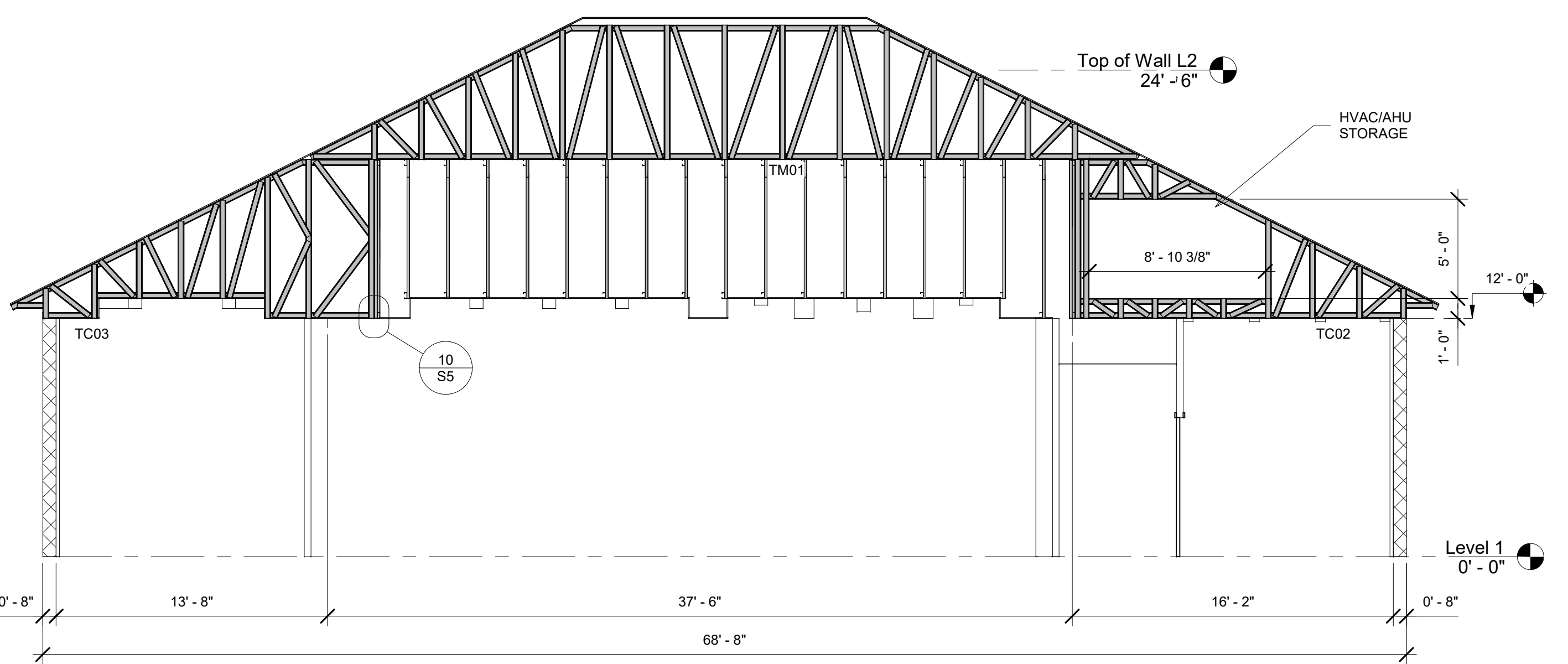
3 STRUCTURAL SECTION
3/16" = 1'-0"



4 STRUCTURAL SECTION
3/16" = 1'-0"



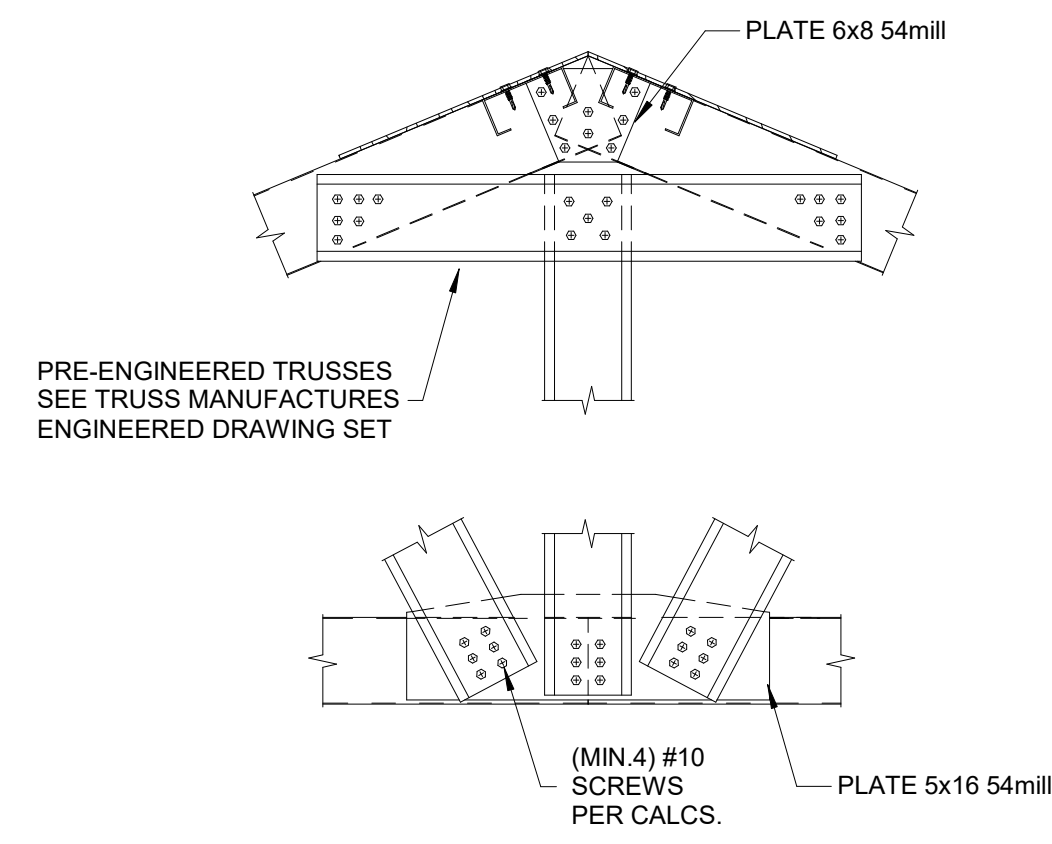
5 STRUCTURAL SECTION
3/16" = 1'-0"



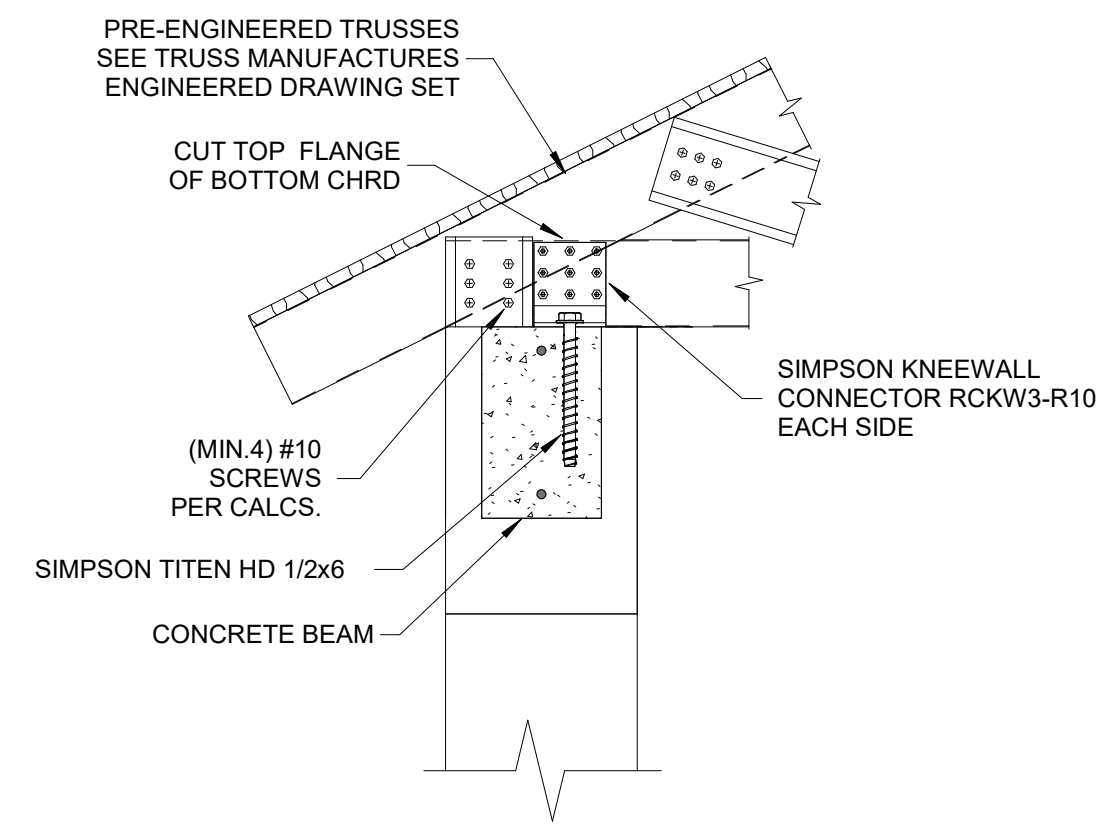
6 STRUCTURAL SECTION
3/16" = 1'-0"

THIS DRAWING IS NOT FINAL OR TO BE USED FOR CONSTRUCTION UNTIL IT IS SIGNED BY THE ENGINEER

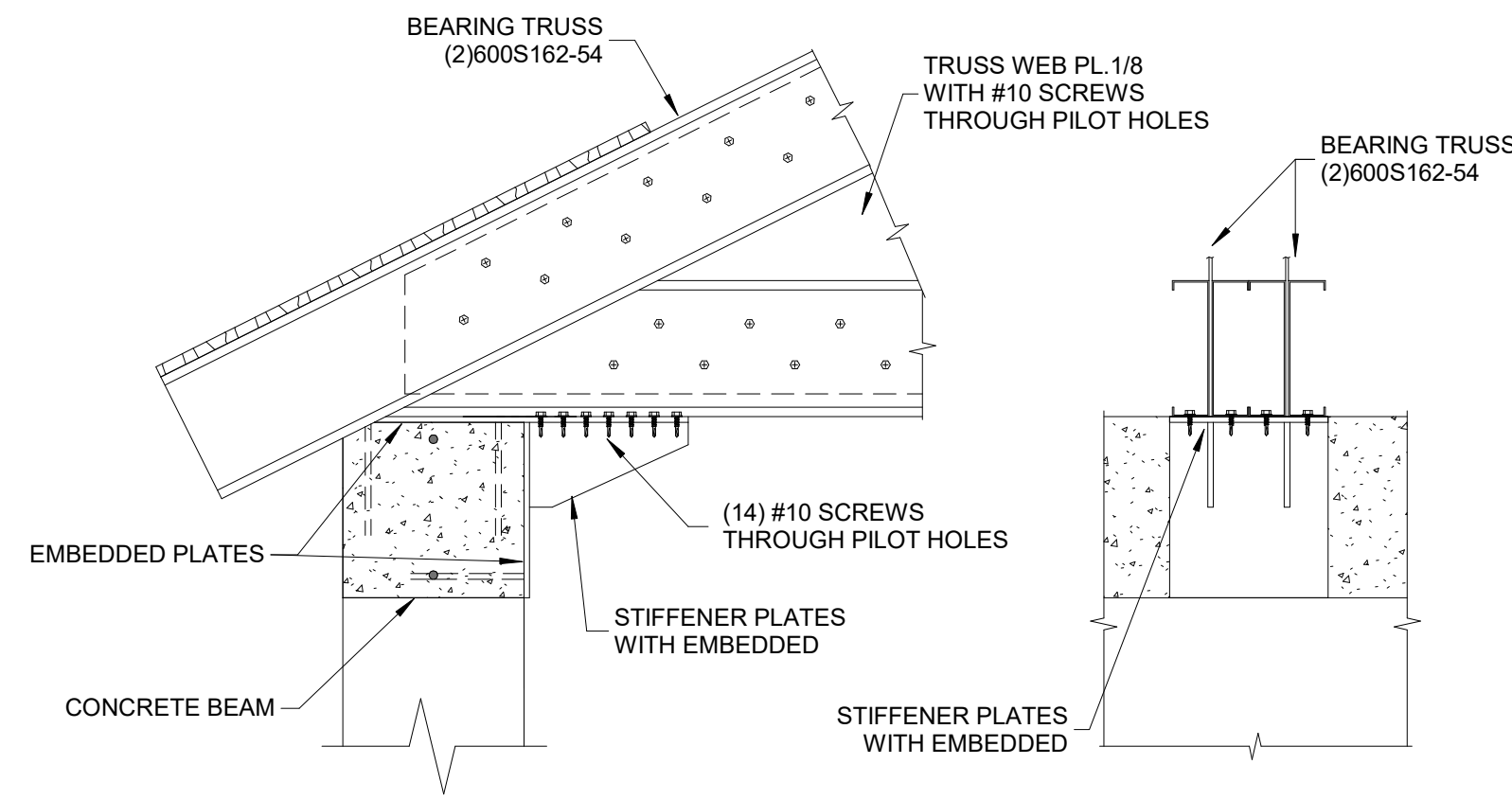
SHEET NUMBER:
S4
SHEET NAME:
STRUCTURAL SECTIONS
DRAWN BY _____
CHECKED BY _____
PROJECT NUMBER _____



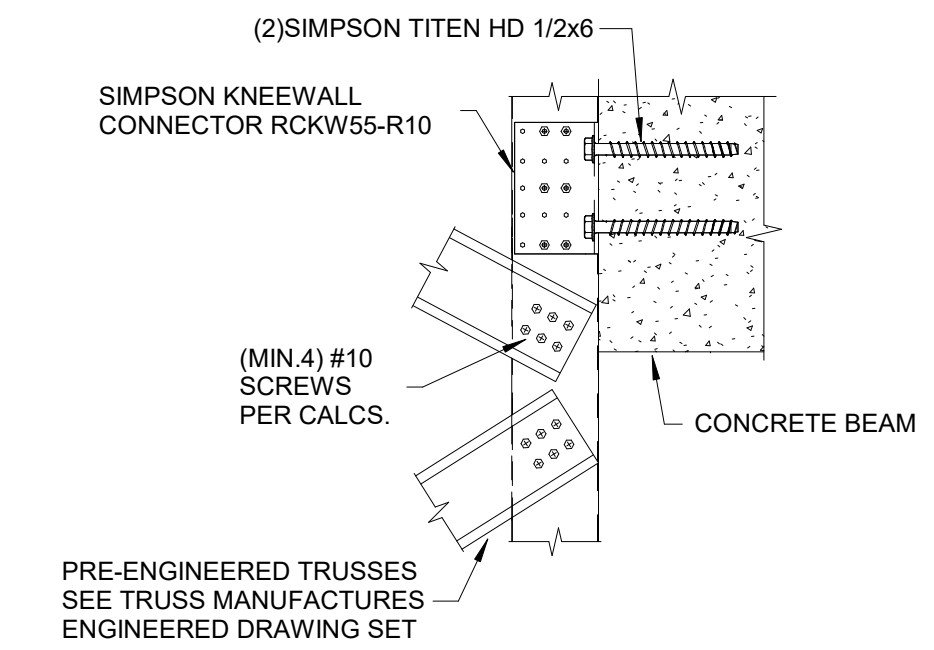
1 TRUSS TO TRUSS DETAIL
1 1/2" = 1'-0"



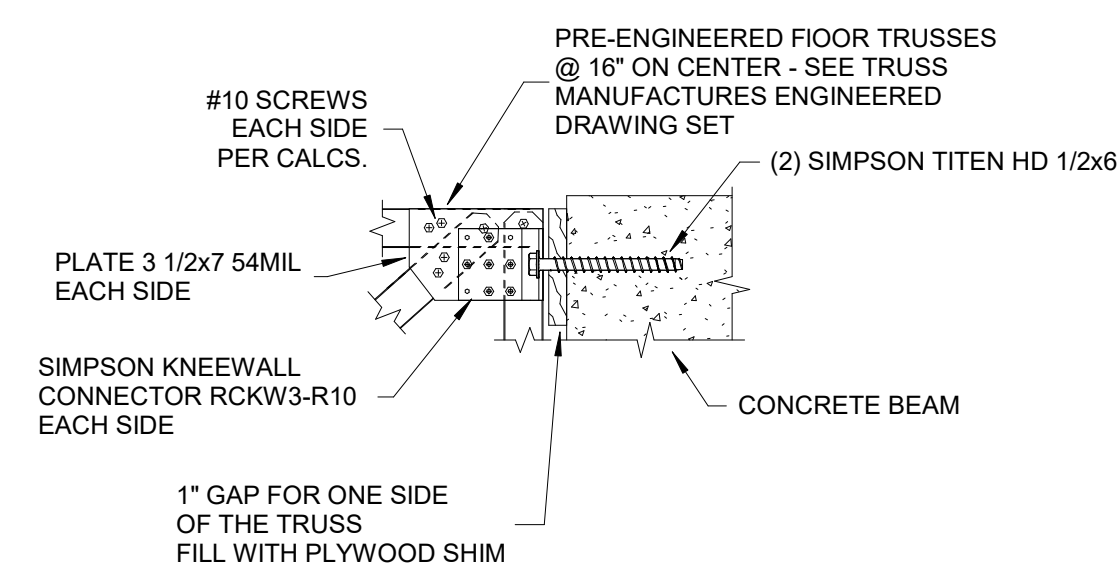
2 TRUSS TO AAC WALL DETAIL
1 1/2" = 1'-0"



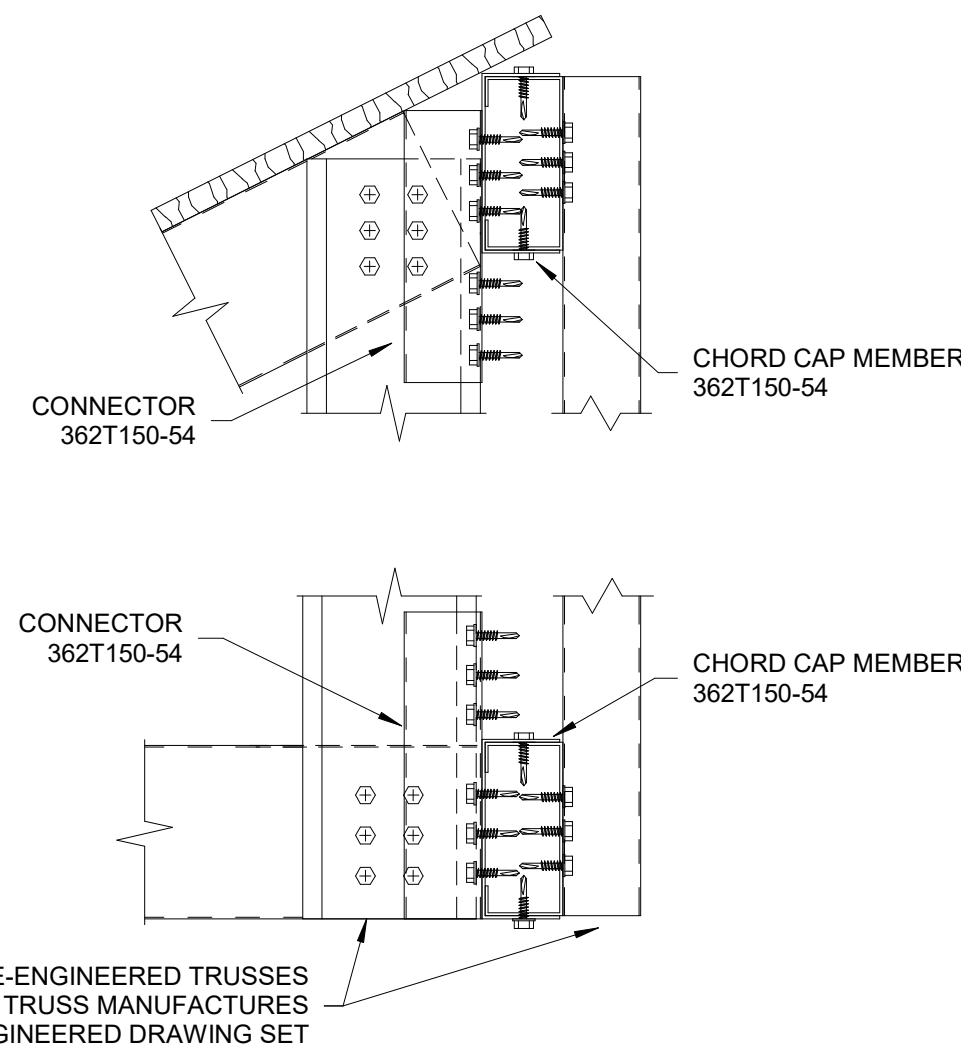
3 TRUSS TO AAC WALL DETAIL
1 1/2" = 1'-0"



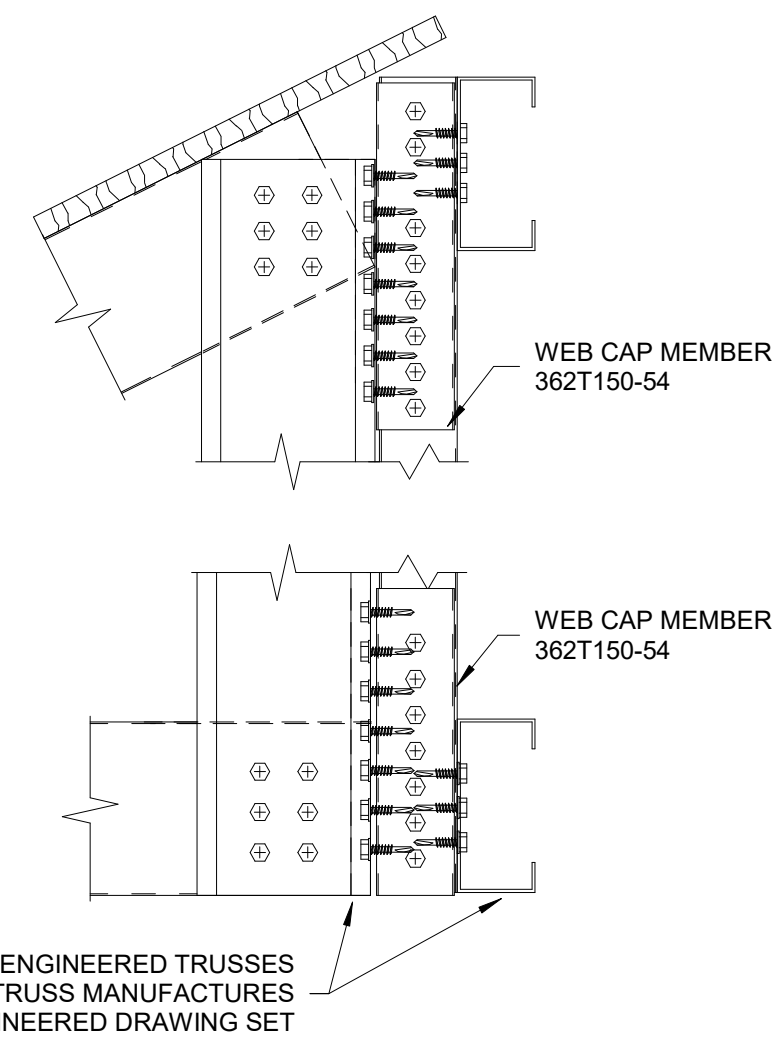
4 TRUSS TO CONCRETE BEAM SIDE
DETAIL
1 1/2" = 1'-0"



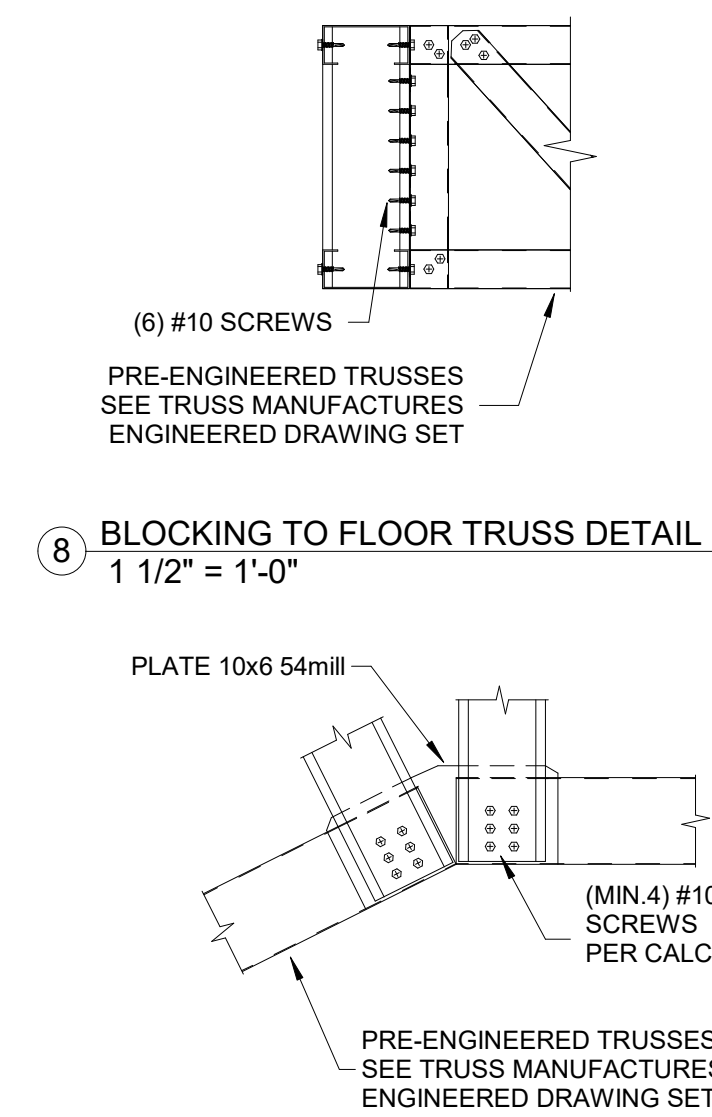
5 FLOOR TRUSS TO CONCRETE BEAM
SIDE DEL
1 1/2" = 1'-0"



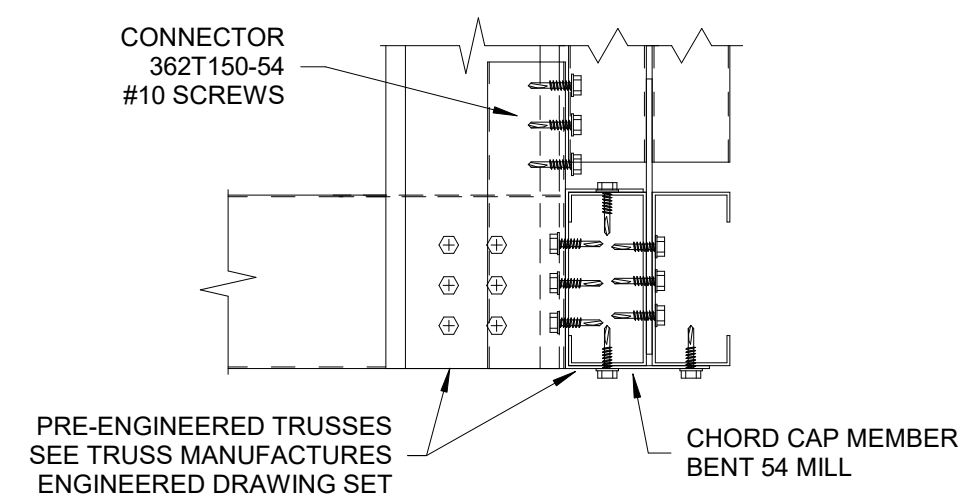
6 TRUSS TO TRUSS CHORD DETAIL
3" = 1'-0"



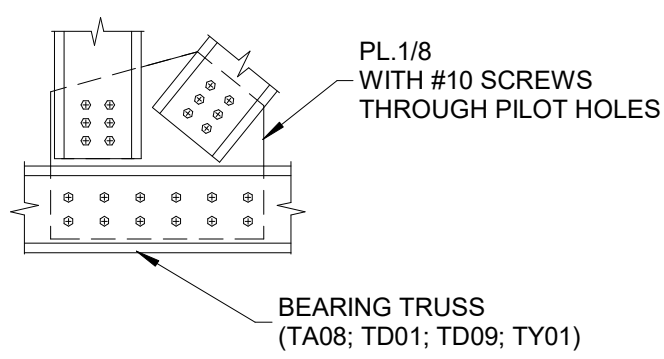
7 TRUSS TO TRUSS WEB DETAIL
3" = 1'-0"



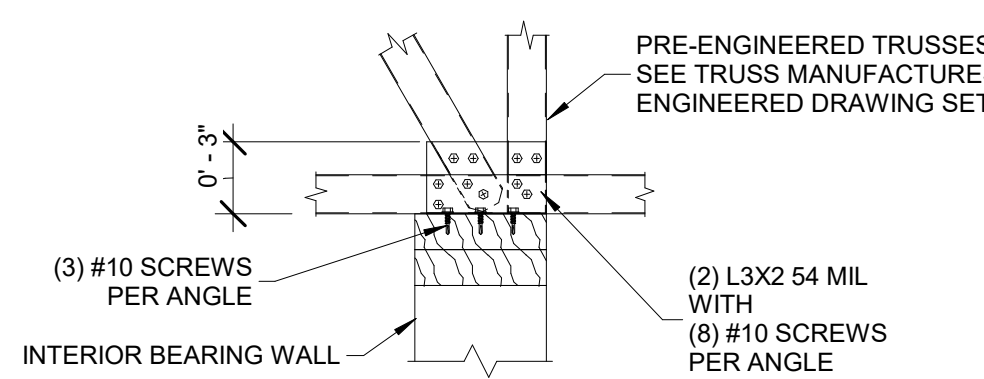
9 TRUSS BOTTOM CHORD DETAIL
1 1/2" = 1'-0"



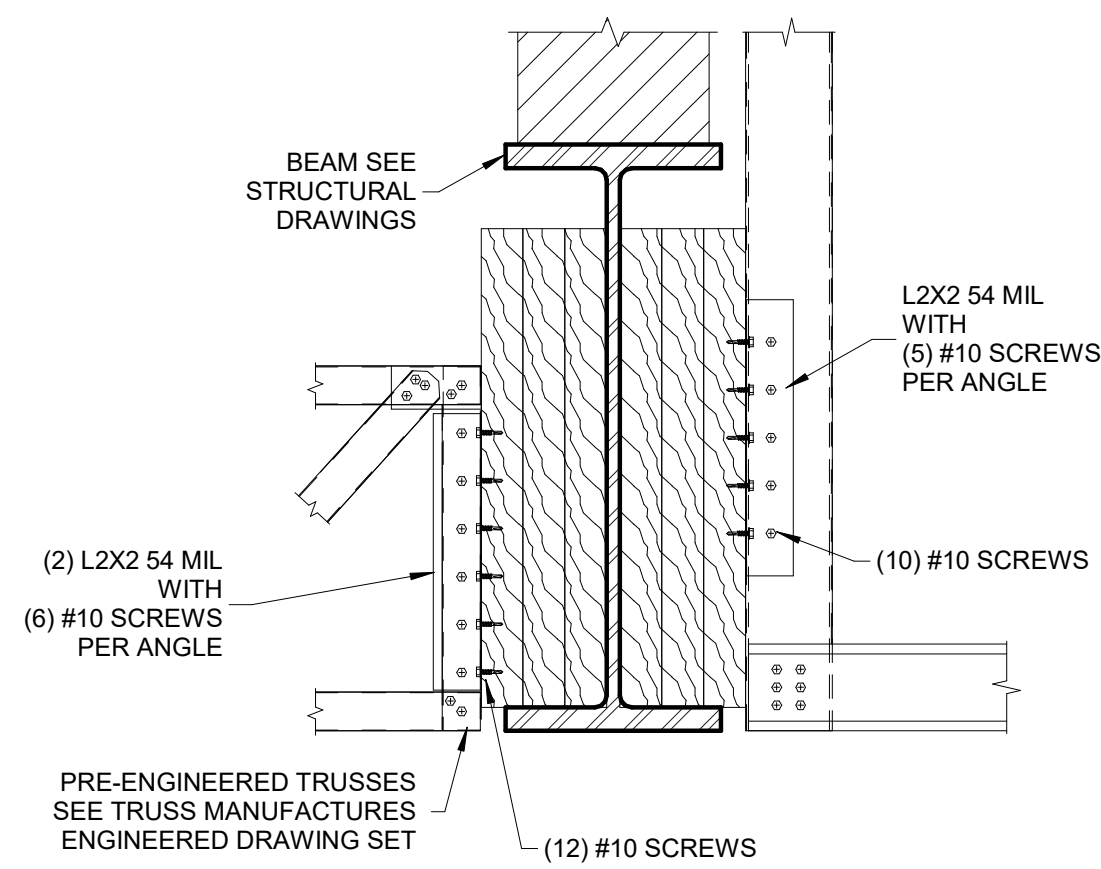
10 TRUSS TO BEARING TRUSS CHORD
DETAIL
3" = 1'-0"



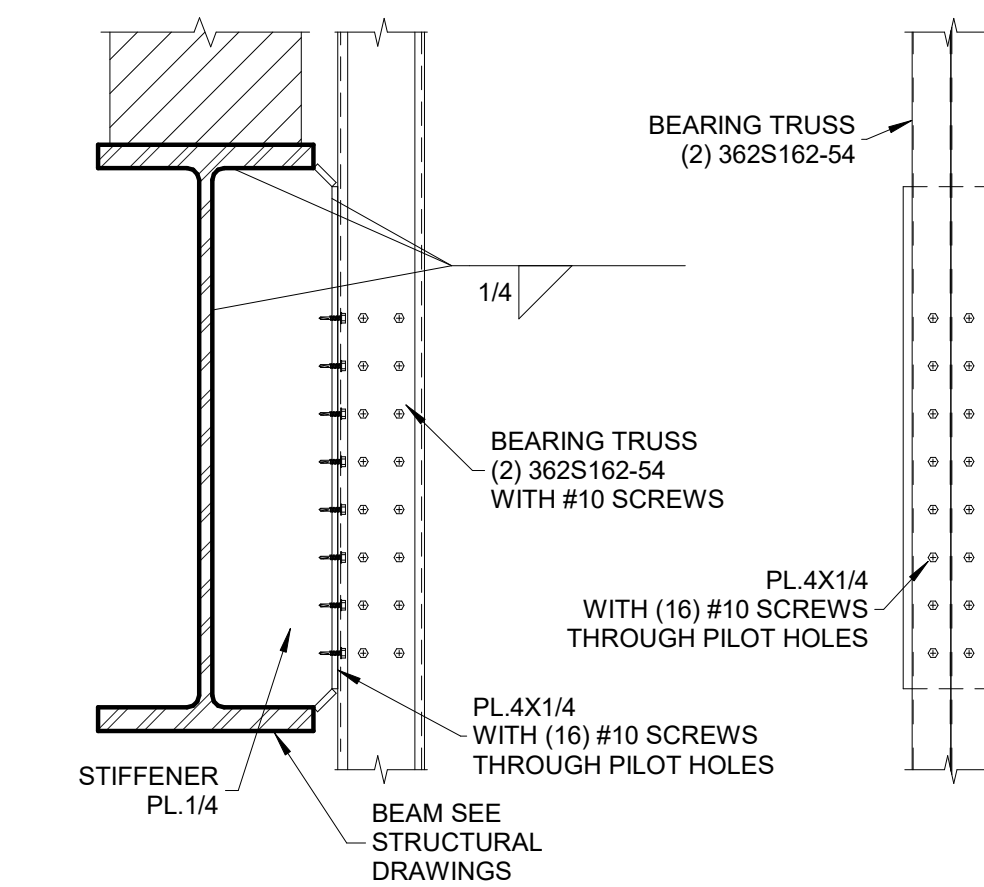
11 BEARING TRUSS GUSSET PLATE
DETAIL
1 1/2" = 1'-0"



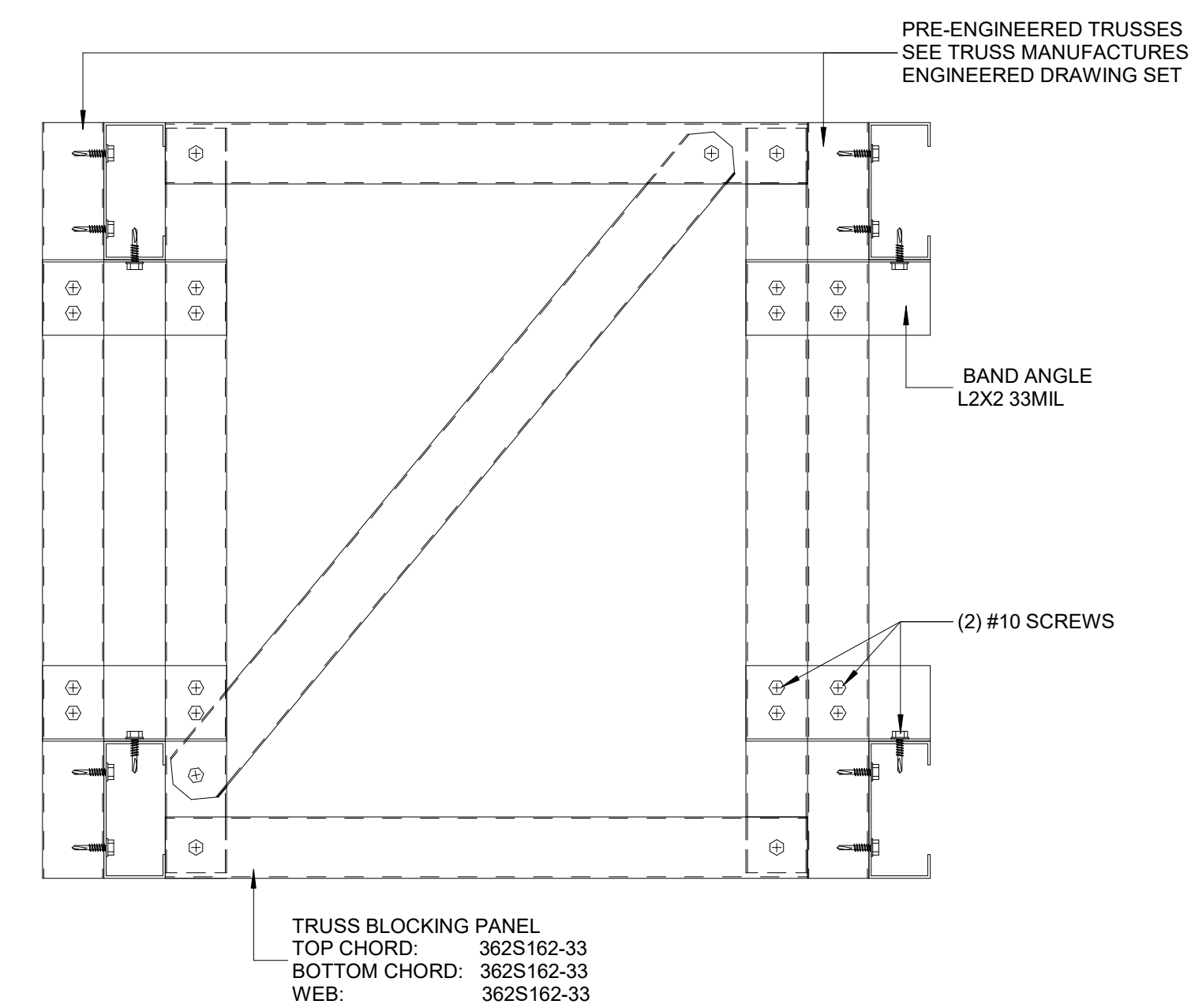
12 FLOOR TRUSS TO INTERIOR WALL
DETAIL
1 1/2" = 1'-0"



13 TRUSS TO WOOD GIRDER DETAIL
1 1/2" = 1'-0"



14 BEARING TRUSS TO STEEL GIRDER
DETAIL
1 1/2" = 1'-0"



15 TRUSS BLOCKING DETAIL
3" = 1'-0"

THIS DRAWING IS NOT FINAL OR TO BE USED FOR
CONSTRUCTION UNTIL IT IS SIGNED BY THE ENGINEER

SHEET NUMBER:
S5

DRAWN BY _____

CHECKED BY _____

PROJECT NUMBER _____

SHEET NAME:
**STRUCTURAL
DETAILS**