

1 ROOF FRAMING PLAN  
1/8" = 1'-0"

**EXTERIOR BEARING ELEVATIONS**

Exterior wall locations per Structural Drawings.

Load-bearing elevations for supporting trusses

10 ft	
12 ft	
14 ft	
16 ft	
18 ft	

See General Notes & Specifications for additional requirements and material specifications.  
All dimensions per Architectural plans

**INTERIOR LOAD-BEARING PARTITION**

Stud wall locations per Shop Drawings.

Load-bearing partition for supporting trusses

See General Notes & Specifications for additional requirements and material specifications.  
All dimensions per Architectural plans

**CEILING NOTES**

Ceiling elevations and niche location see Architectural plans

Miscellaneous ceiling framing conditions shown on Architectural plans will be required to complete by Builder


THIS DRAWING IS NOT FINAL OR TO BE USED FOR CONSTRUCTION UNTIL IT IS SIGNED BY THE ENGINEER

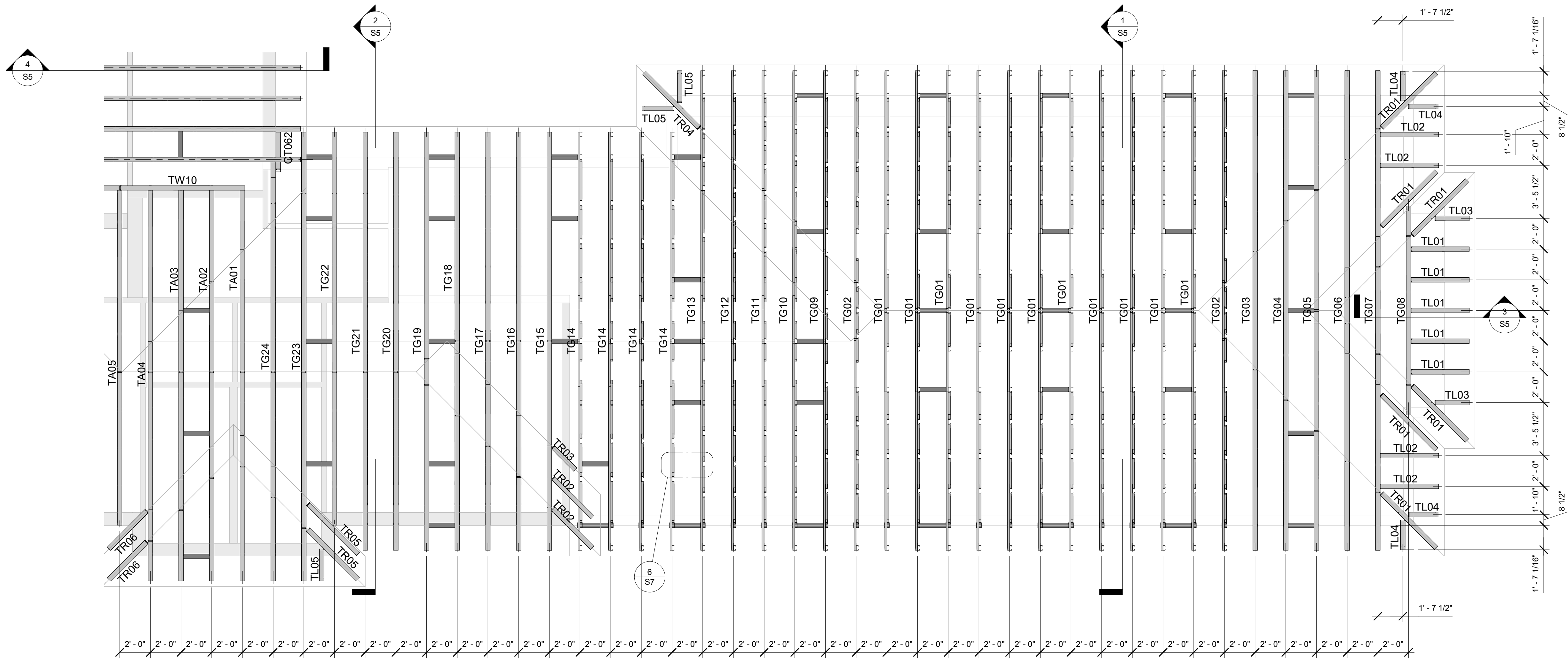

SHEET NUMBER: **S1**

DRAWN BY: DZ

CHECKED BY: MK

PROJECT NUMBER: \_\_\_\_\_

SHEET NAME: **ROOF FRAMING PLAN**



1 ROOF FRAMING PLAN  
1/4" = 1'-0"

THIS DRAWING IS NOT FINAL OR TO BE USED FOR CONSTRUCTION UNTIL IT IS SIGNED BY THE ENGINEER

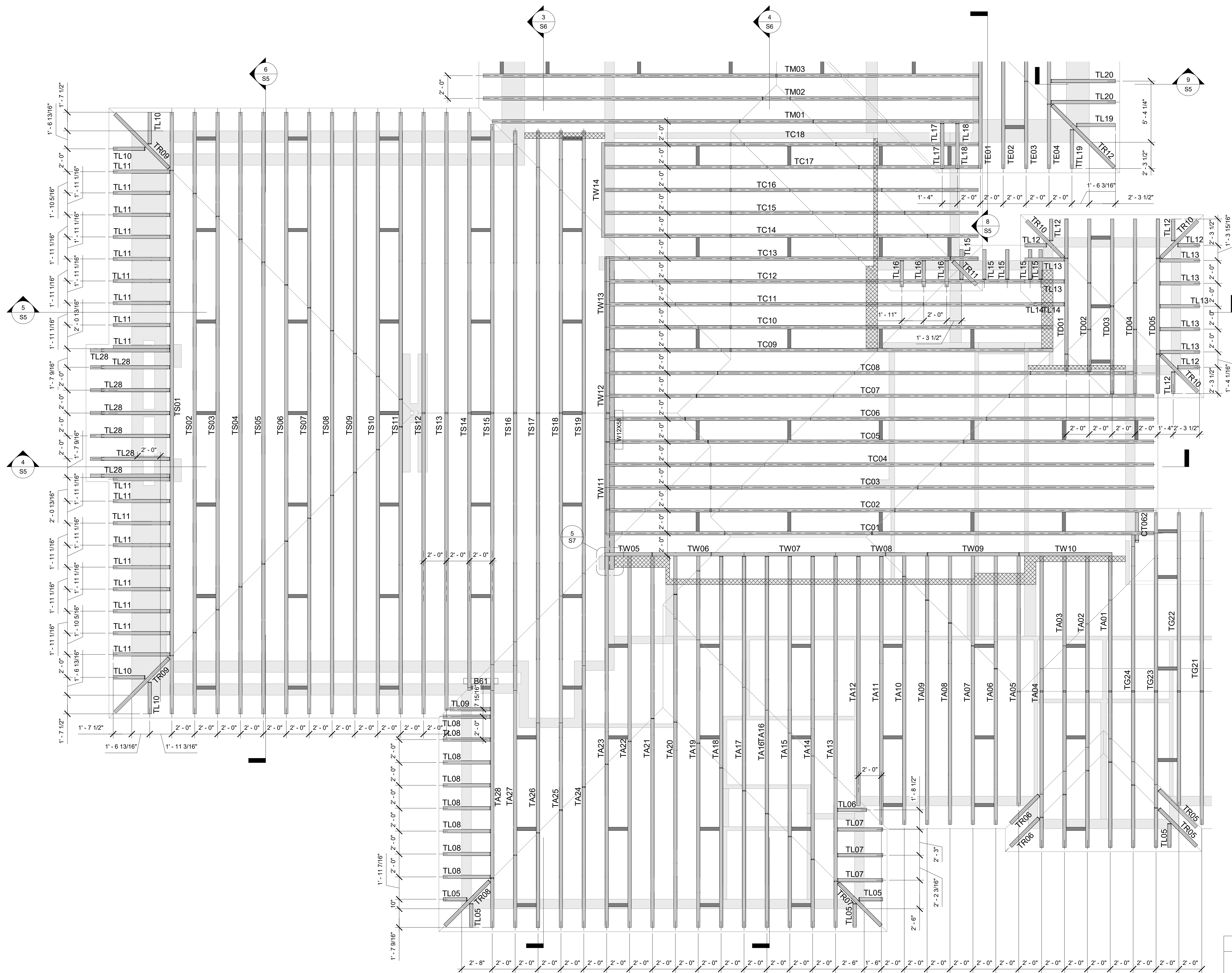
SHEET NUMBER:  
**S2**

DRAWN BY: \_\_\_\_\_  
DZ

CHECKED BY: \_\_\_\_\_  
MK

PROJECT NUMBER: \_\_\_\_\_

SHEET NAME:  
**ROOF FRAMING PLAN. PART 1**



1 ROOF FRAMING PLAN  
1/4" = 1'-0"

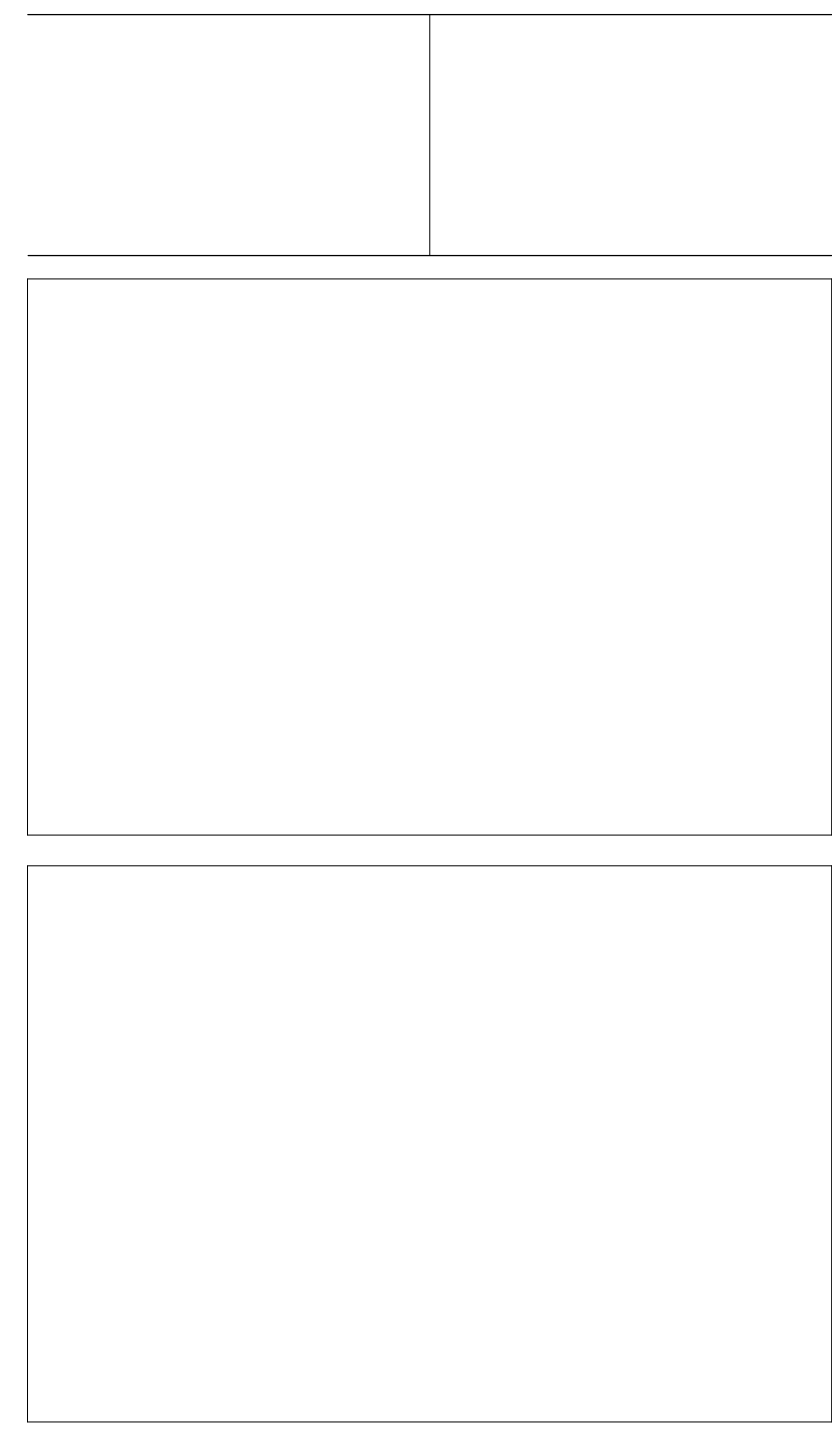
**INTERIOR LOAD-BEARING PARTITION**

Stud wall locations per Shop Drawings.

Load-bearing partition for supporting trusses

See General Notes & Specifications for additional requirements and material specifications.

All dimensions per Architectural plans



THIS DRAWING IS NOT FINAL OR TO BE USED FOR CONSTRUCTION UNTIL IT IS SIGNED BY THE ENGINEER

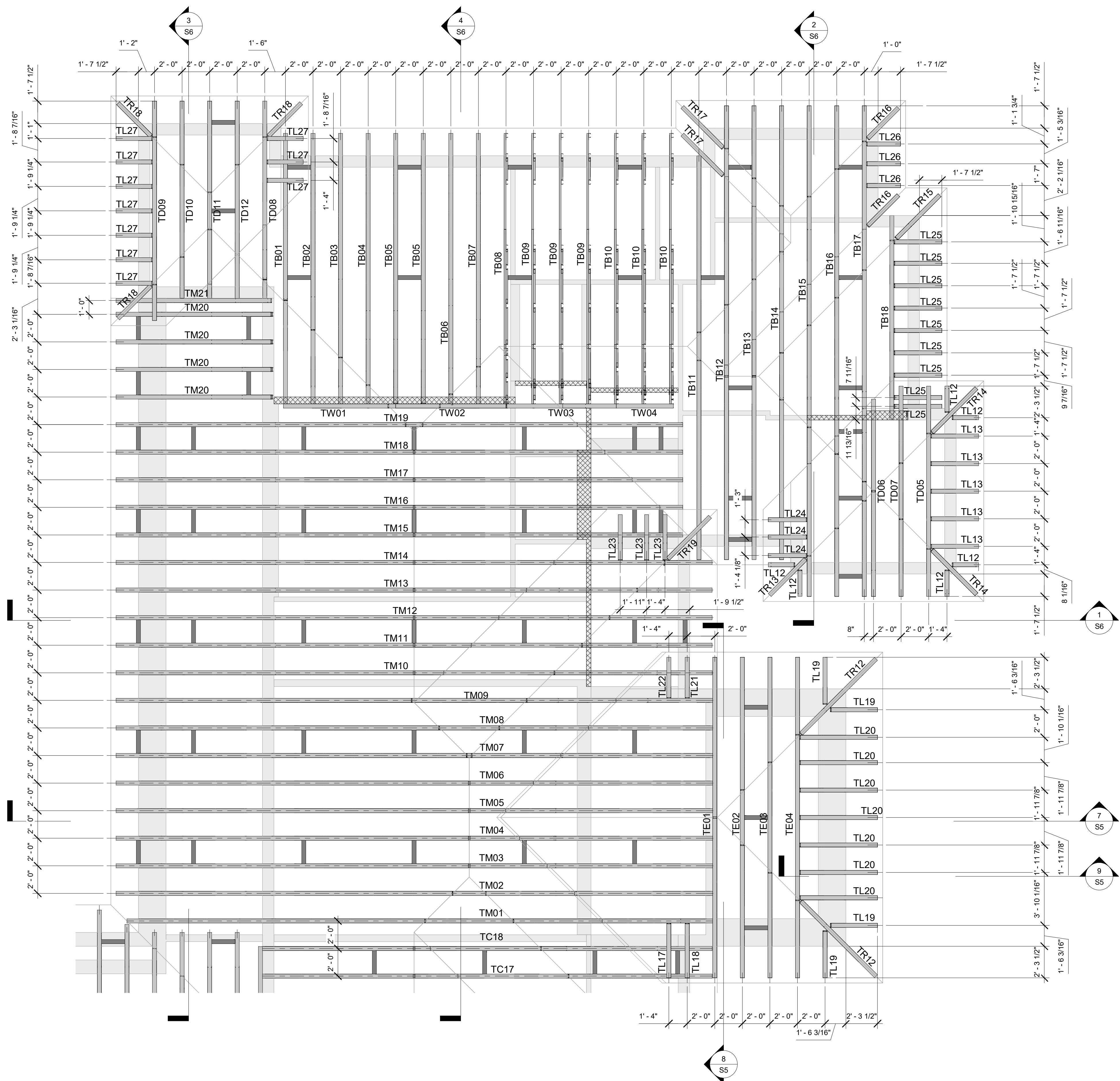
SHEET NUMBER: **S3**

DRAWN BY: DZ

CHECKED BY: MK

PROJECT NUMBER: \_\_\_\_\_

SHEET NAME: **ROOF FRAMING PLAN. PART 2**

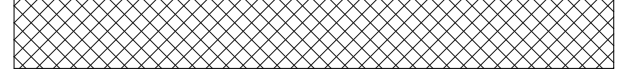


1 ROOF FRAMING PLAN  
1/4" = 1'-0"

**INTERIOR LOAD-BEARING PARTITION**

Stud wall locations per Shop Drawings.

Load-bearing partition for supporting trusses



See General Notes & Specifications for additional requirements and material specifications.

All dimensions per Architectural plans


THIS DRAWING IS NOT FINAL OR TO BE USED FOR CONSTRUCTION UNTIL IT IS SIGNED BY THE ENGINEER

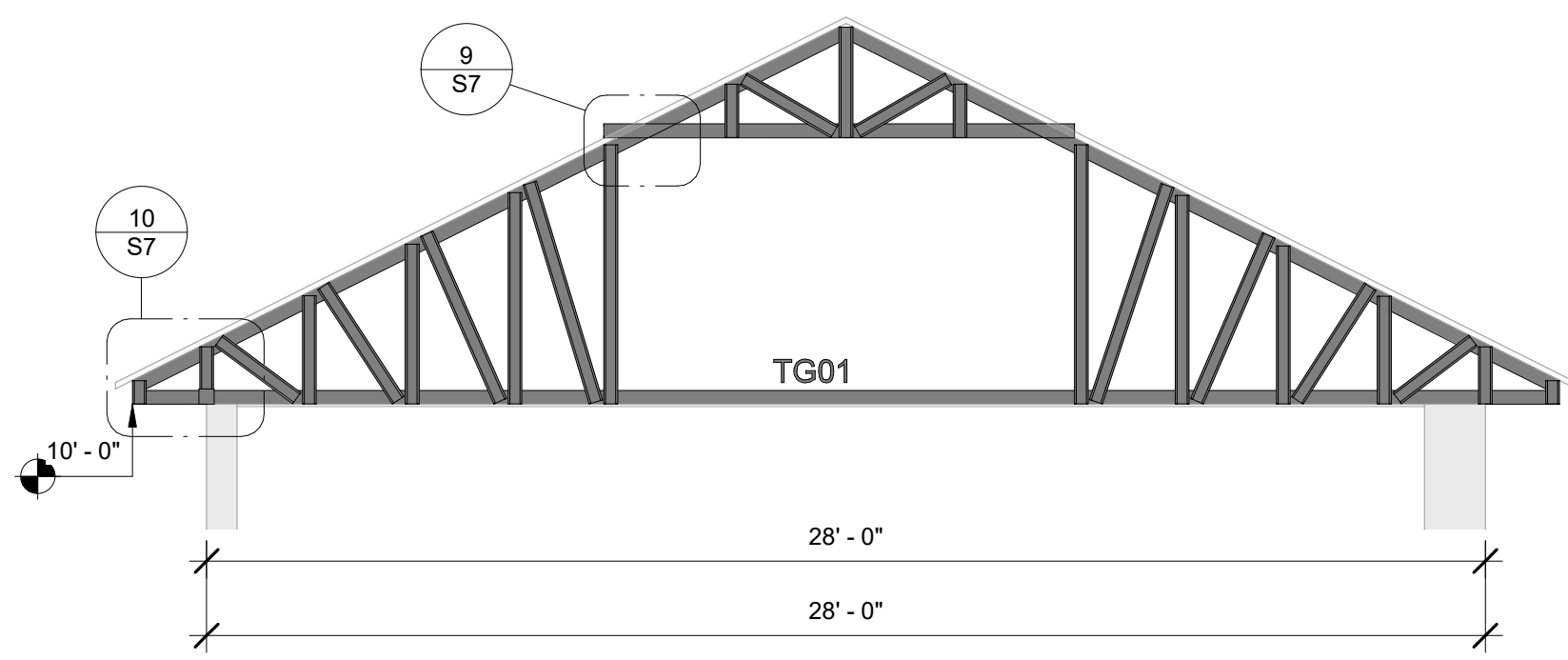
SHEET NUMBER: **S4**

DRAWN BY: DZ

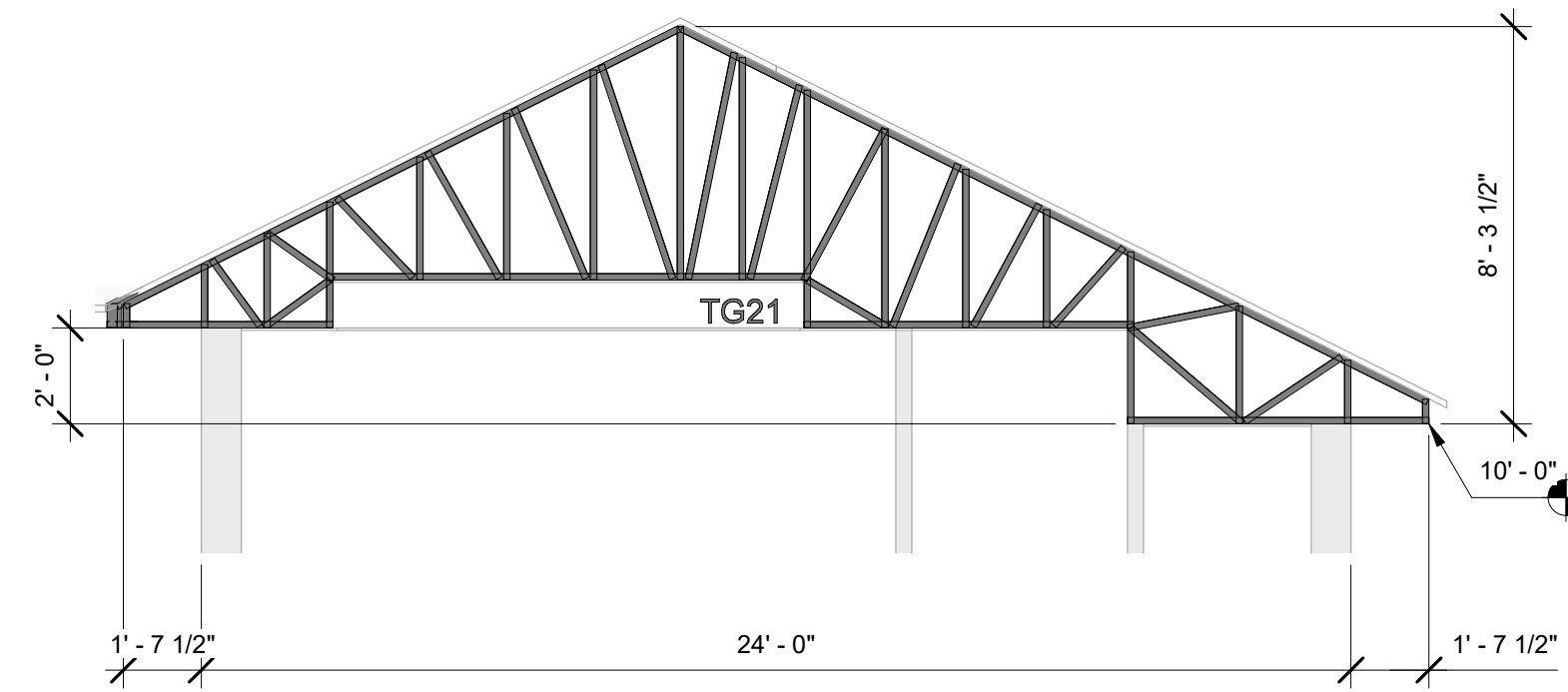
CHECKED BY: MK

PROJECT NUMBER: \_\_\_\_\_

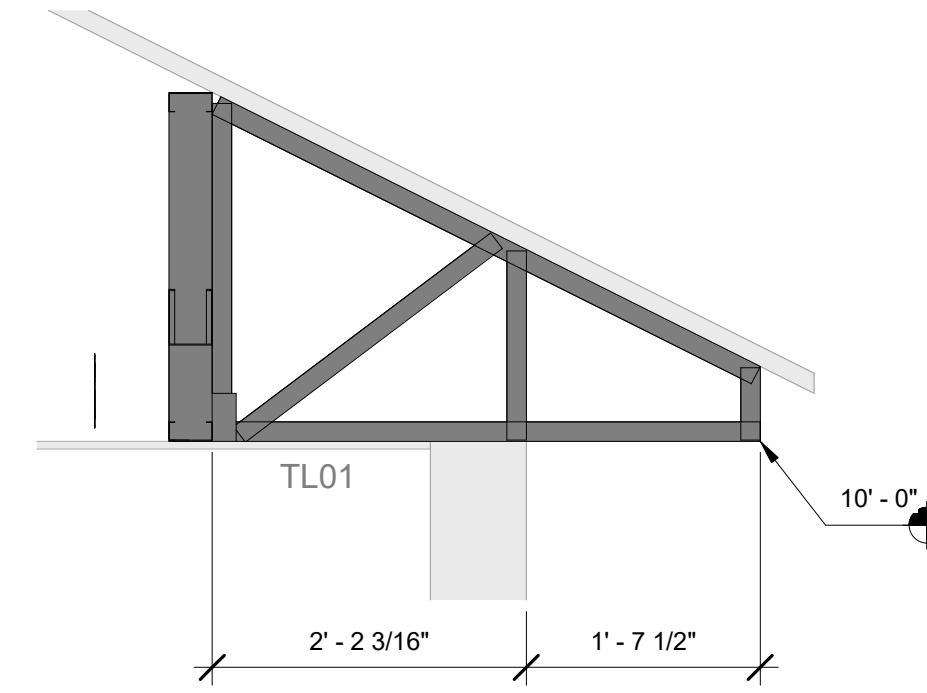
SHEET NAME: **ROOF FRAMING PLAN. PART 3**



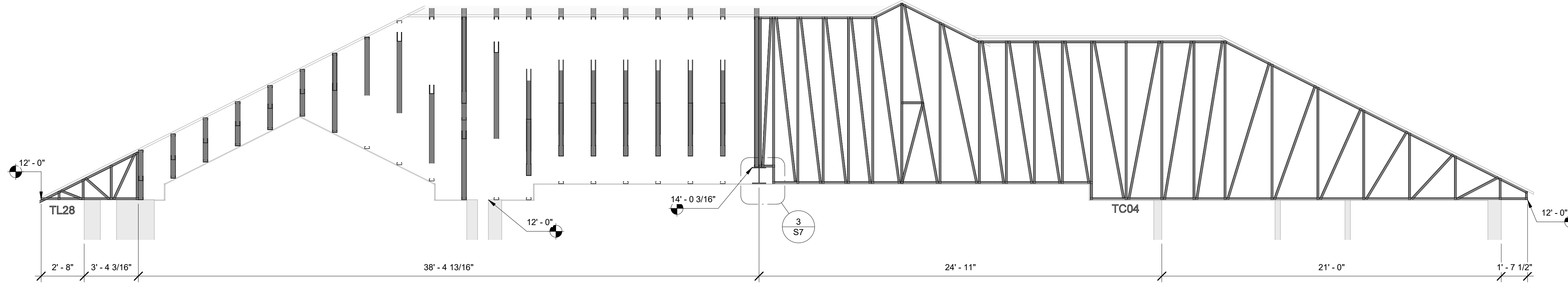
① STRUCTURAL SECTIONS  
1/4" = 1'-0"



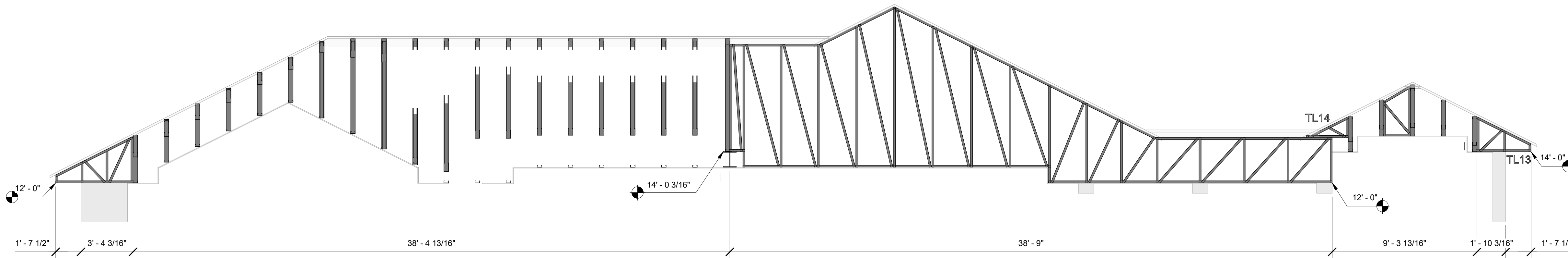
② STRUCTURAL SECTIONS  
1/4" = 1'-0"



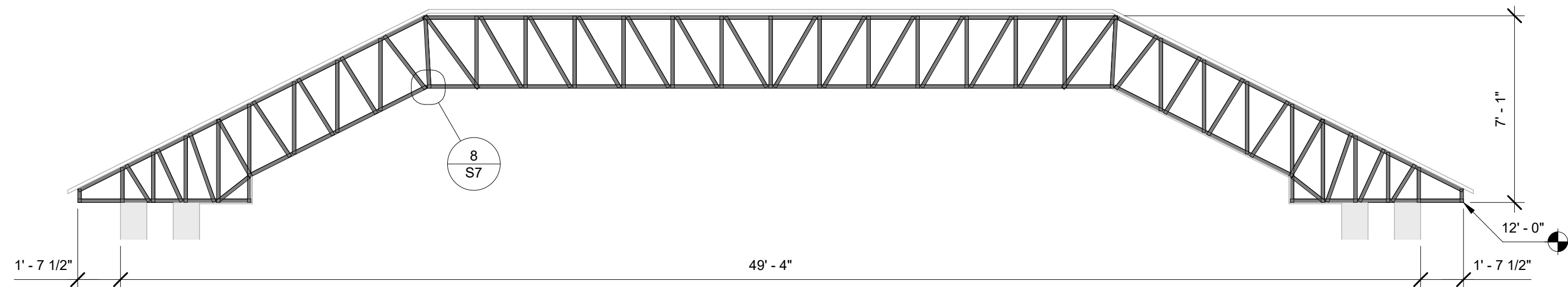
③ STRUCTURAL SECTIONS  
3/4" = 1'-0"



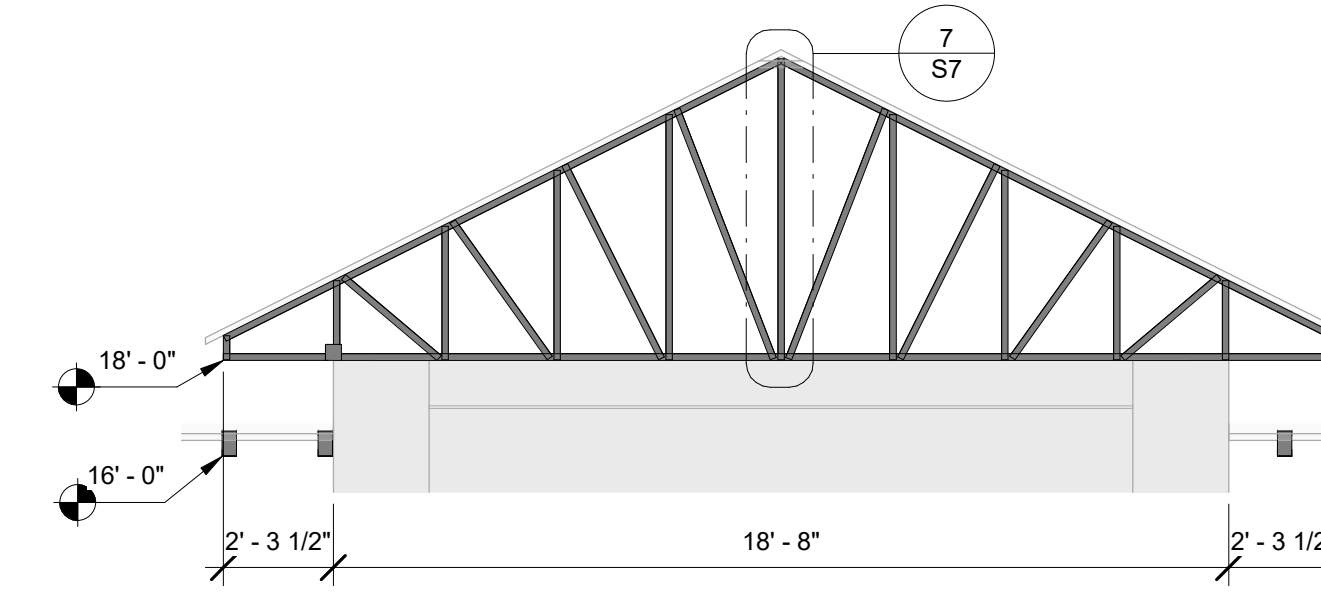
④ STRUCTURAL SECTIONS  
1/4" = 1'-0"



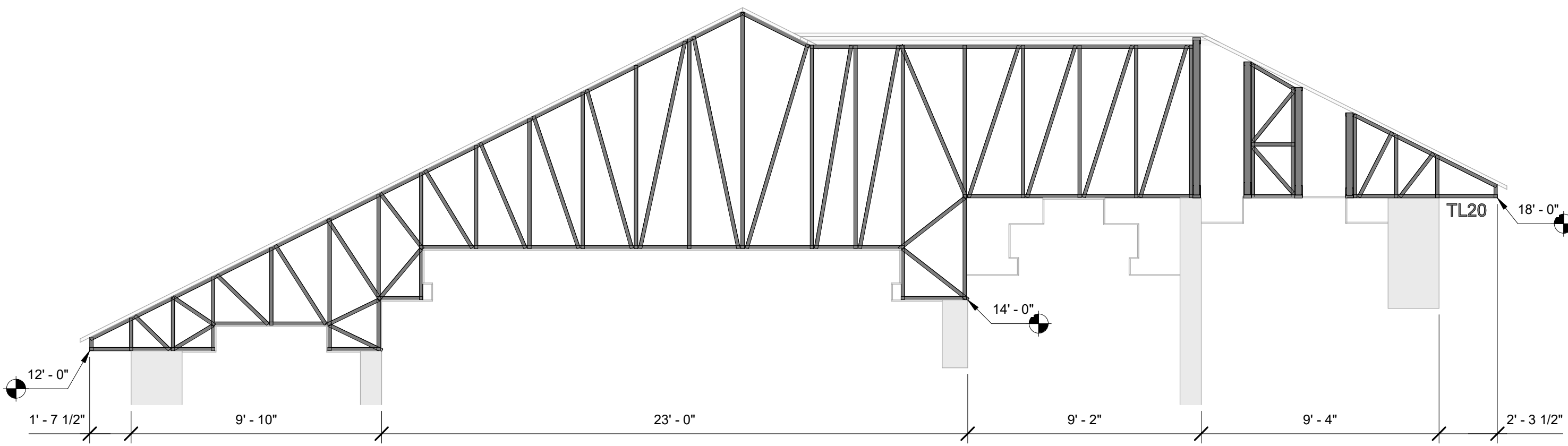
⑤ STRUCTURAL SECTIONS  
1/4" = 1'-0"



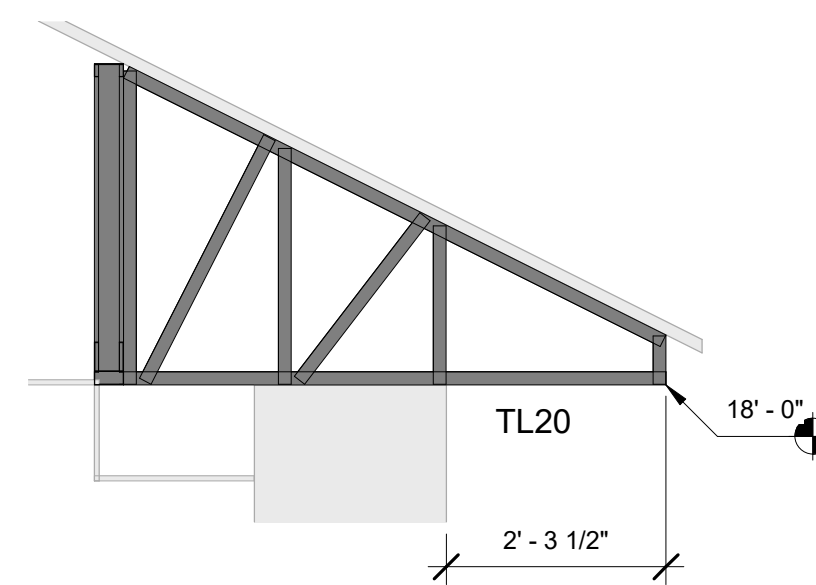
⑥ STRUCTURAL SECTIONS  
1/4" = 1'-0"



⑧ STRUCTURAL SECTIONS  
1/4" = 1'-0"



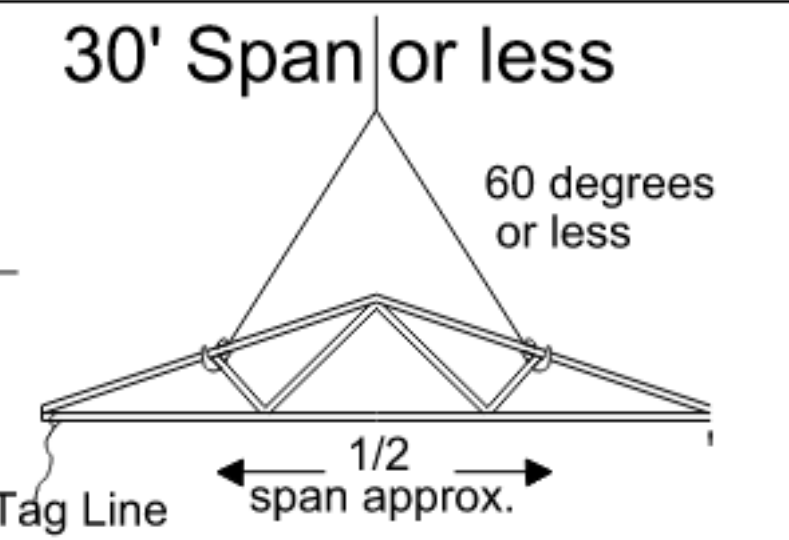
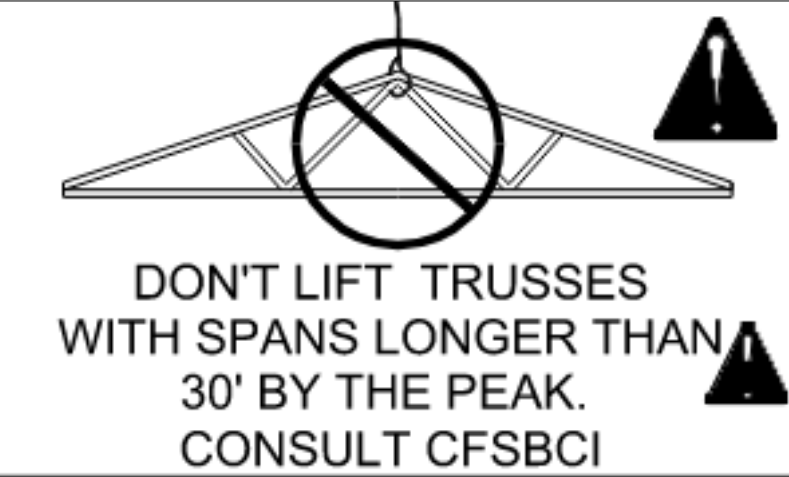
⑦ STRUCTURAL SECTIONS  
1/4" = 1'-0"



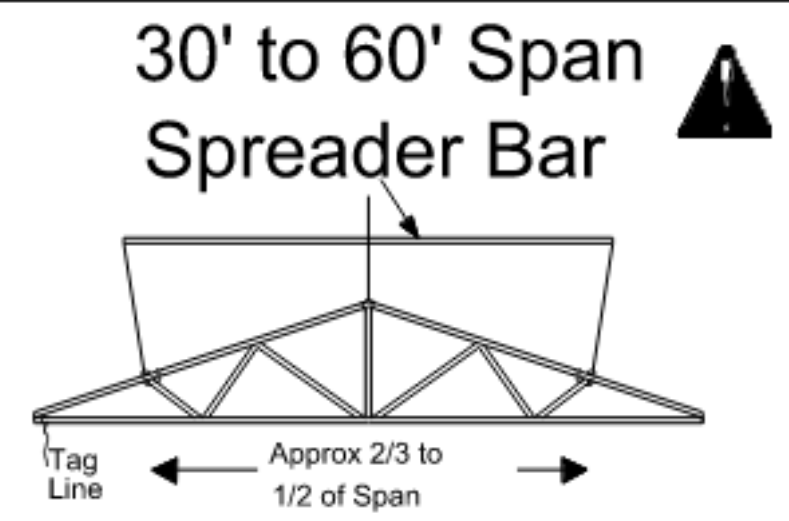
⑨ STRUCTURAL SECTIONS  
1/2" = 1'-0"

### Truss Design Summary

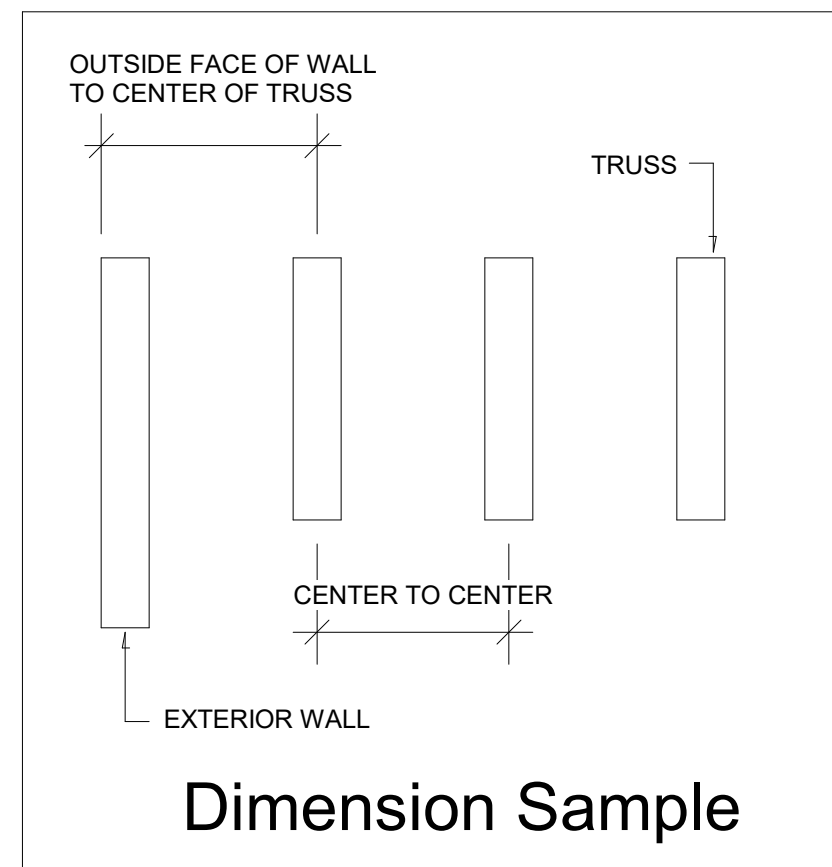
Loading Code	IBC 2018
Top Chord Live	20
Top Chord Dead	05
Bottom Chord Live	00
Bottom Chord Dead	05
Snow Load	00
Wind Load Provisions	ASCE7-16
Wind Speed	155
Exposure Category	C
Risk Category	II
Roof Pitch	5/12
BC Restraints	2'-0"



REFER TO CFSBCI  
Truss must be set this way if crane used.  
Truss is an example, your truss may not match.  
Insist crane operator sets truss this way.

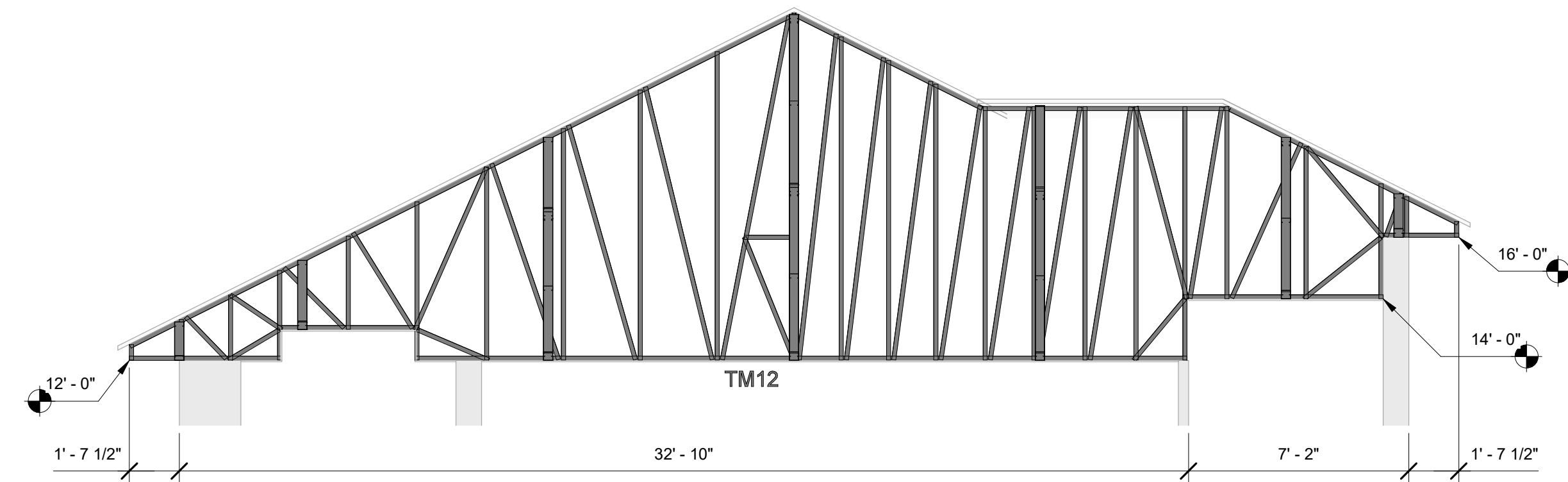


REFER TO CFSBCI  
Truss must be set this way if crane used.  
This is an example, truss may not match.  
Insist crane operator sets truss this way.

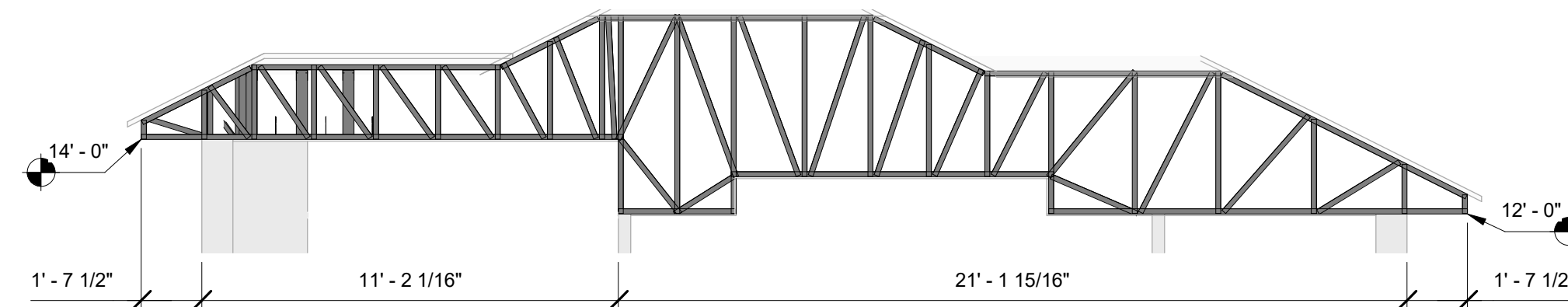


THIS DRAWING IS NOT FINAL OR TO BE USED FOR CONSTRUCTION UNTIL IT IS SIGNED BY THE ENGINEER

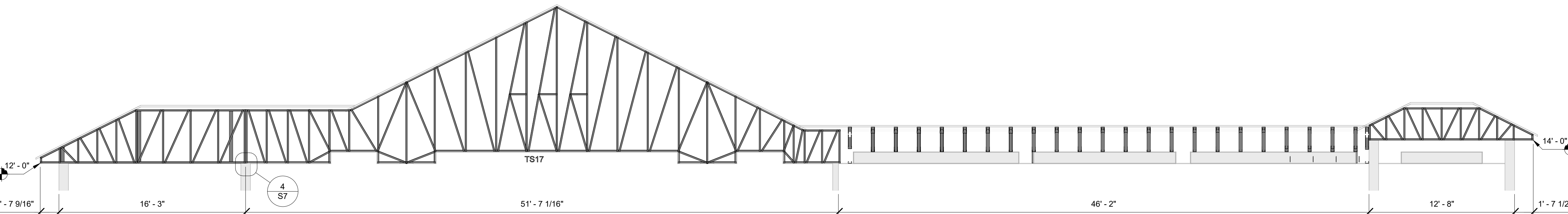
SHEET NUMBER:  
**S5**  
DRAWN BY: DZ  
CHECKED BY: MK  
PROJECT NUMBER:  
SHEET NAME:  
**STRUCTURAL SECTIONS**



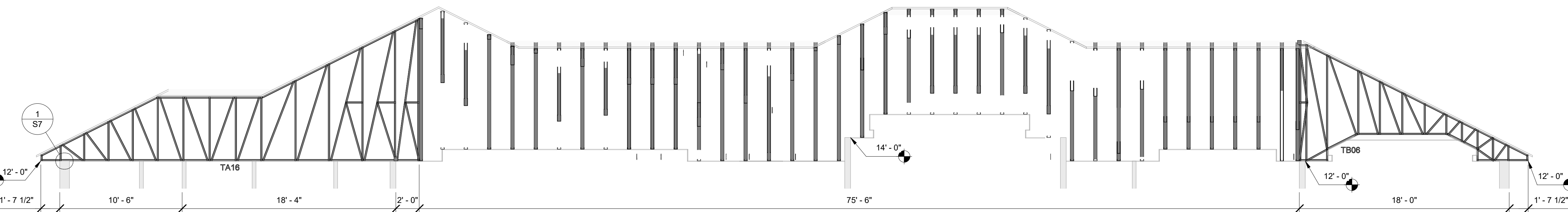
1 STRUCTURAL SECTIONS  
1/4" = 1'-0"



2 STRUCTURAL SECTIONS  
1/4" = 1'-0"



3 STRUCTURAL SECTIONS  
3/16" = 1'-0"



4 STRUCTURAL SECTIONS  
3/16" = 1'-0"

### Truss Design Summary

Loading Code	IBC 2018
Top Chord Live	20
Top Chord Dead	05
Bottom Chord Live	00
Bottom Chord Dead	05
Snow Load	00
Wind Load Provisions	ASCE7-16
Wind Speed	155
Exposure Category	C
Risk Category	II
Roof Pitch	5/12
BC Restraints	2'-0"

**DON'T LIFT TRUSSES  
WITH SPANS LONGER THAN  
30' BY THE PEAK.  
CONSULT CFSBCI**

**30' Span or less**

60 degrees or less

1/2 span approx.

Tag Line

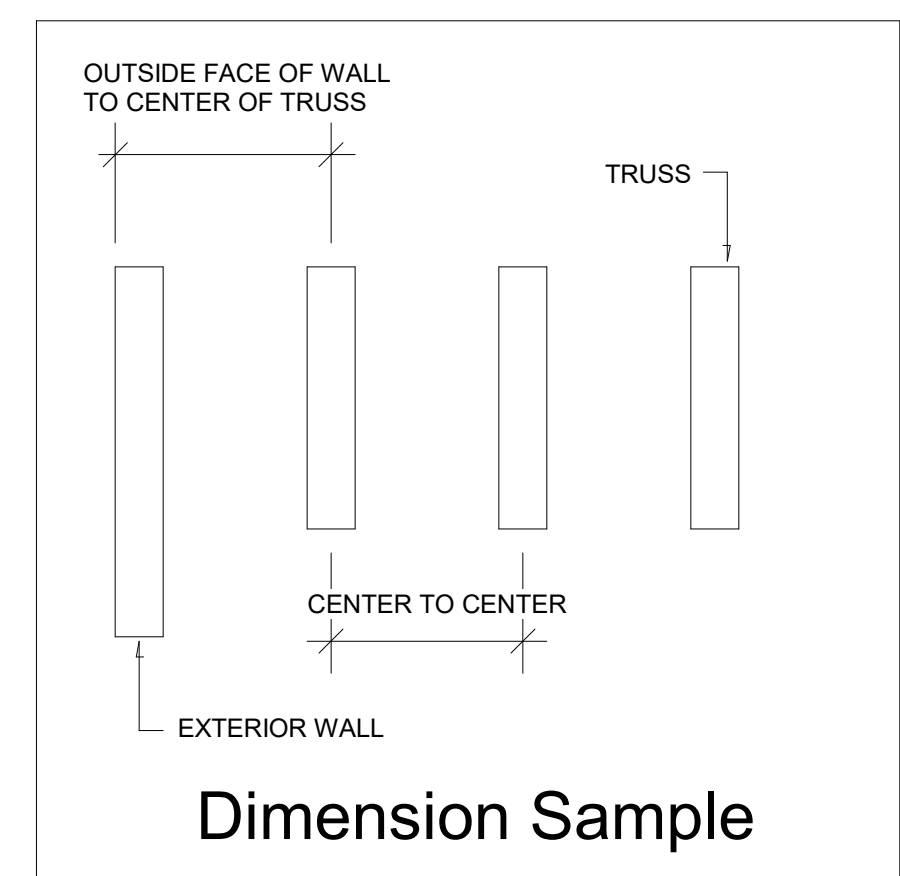
**REFER TO CFSBCI**  
Truss must be set this way if crane used.  
Truss is an example, your truss may not match.  
Insist crane operator sets truss this way.

**30' to 60' Span  
Spreader Bar**

Approx 2/3 to 1/2 of Span

Tag Line

**REFER TO CFSBCI**  
Truss must be set this way if crane used.  
This is an example, truss may not match.  
Insist crane operator sets truss this way.

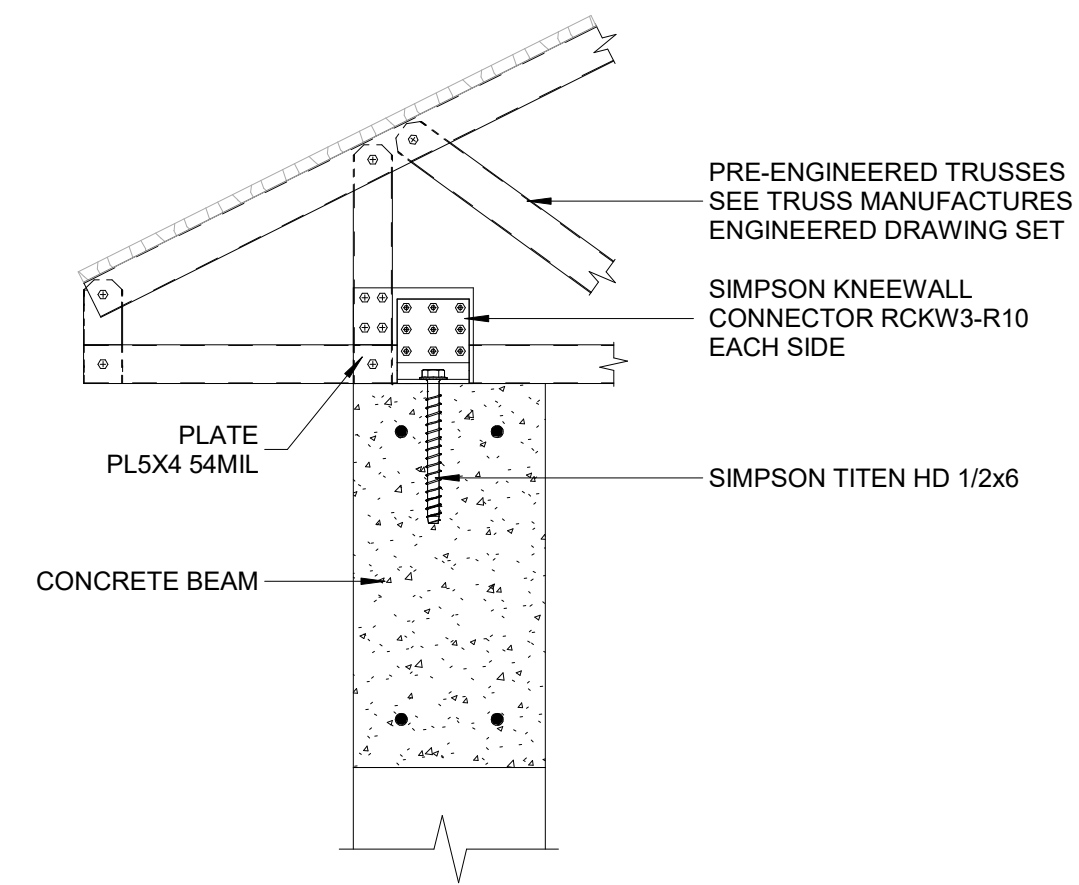



THIS DRAWING IS NOT FINAL OR TO BE USED FOR CONSTRUCTION UNTIL IT IS SIGNED BY THE ENGINEER

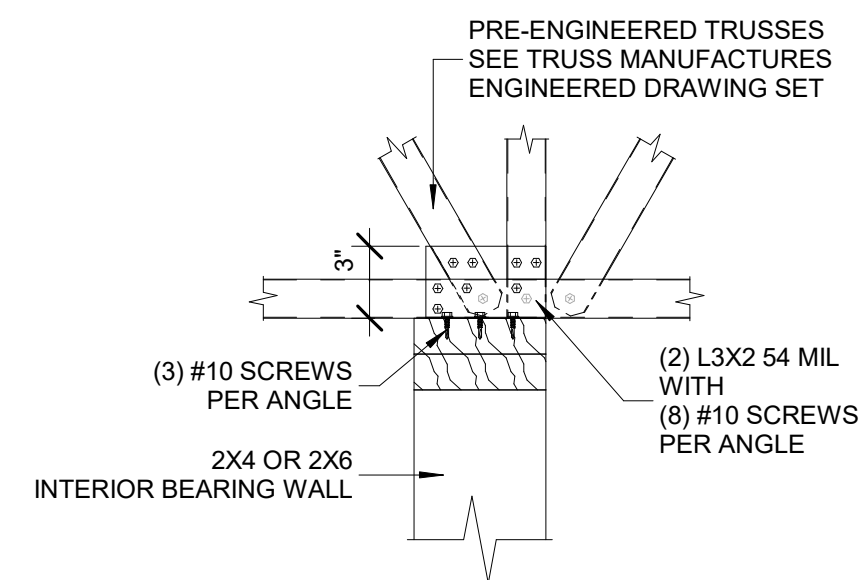
SHEET NUMBER:  
**S6**

DRAWN BY: DZ  
CHECKED BY: MK  
PROJECT NUMBER:

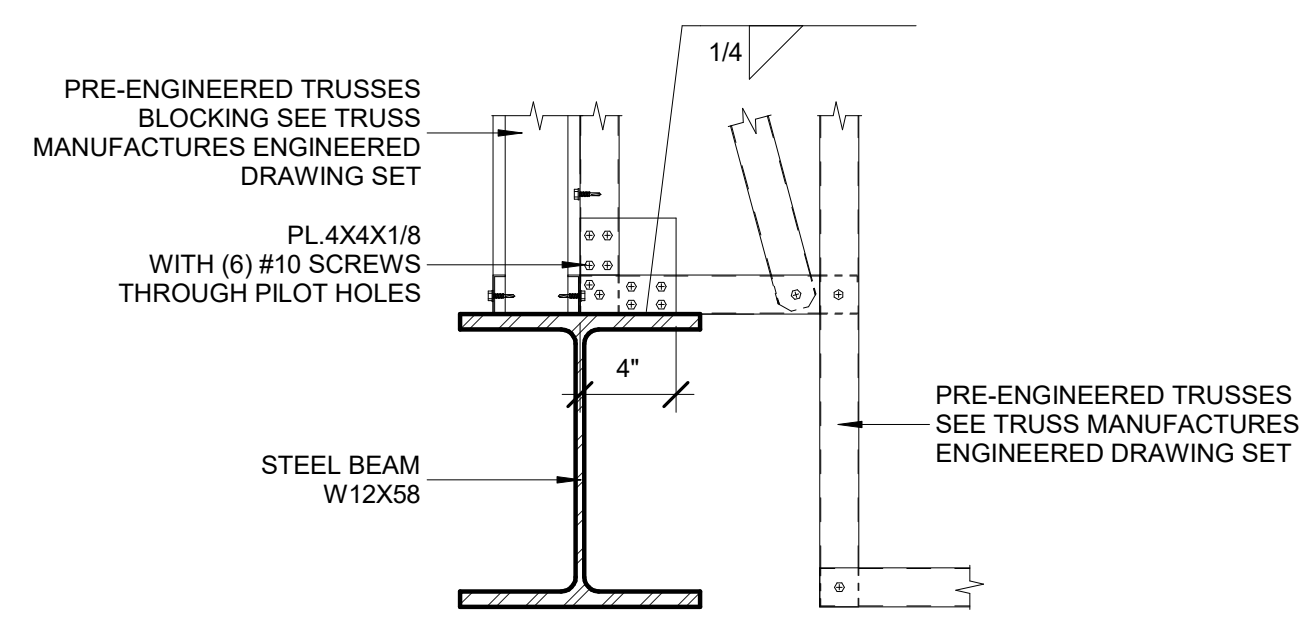
SHEET NAME:  
**STRUCTURAL SECTIONS**



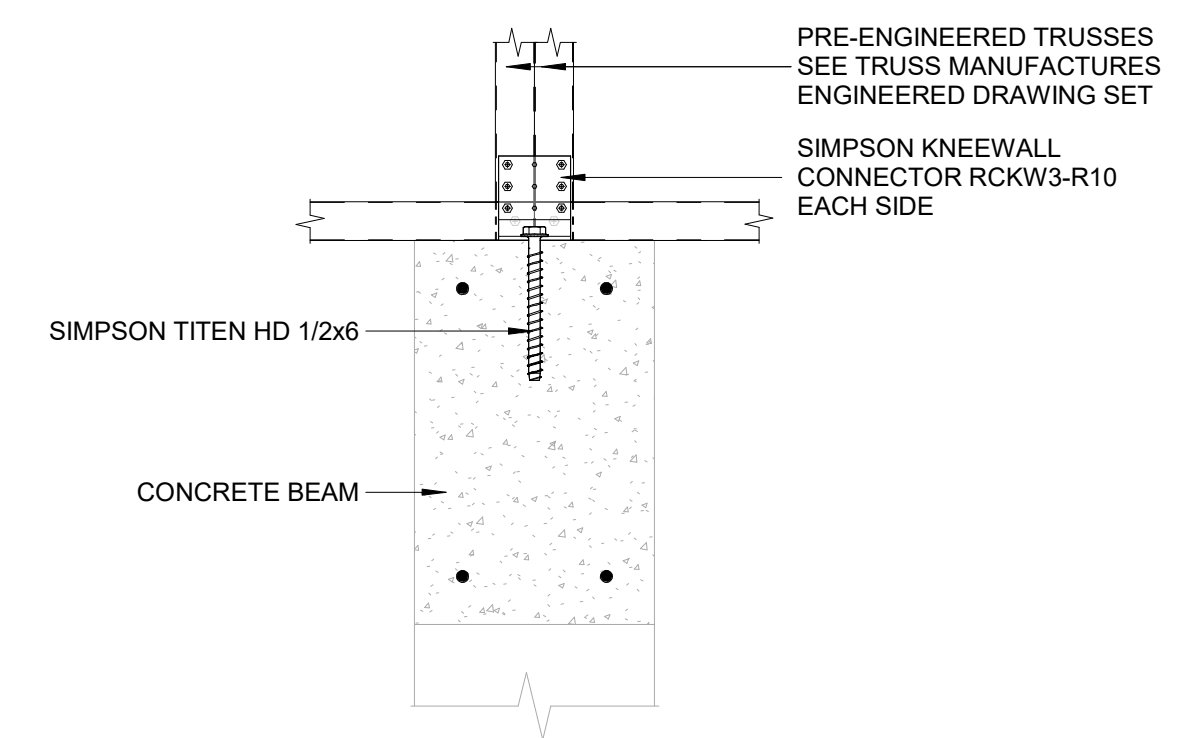
1 TRUSS TO WALL DETAIL  
1 1/2" = 1'-0"



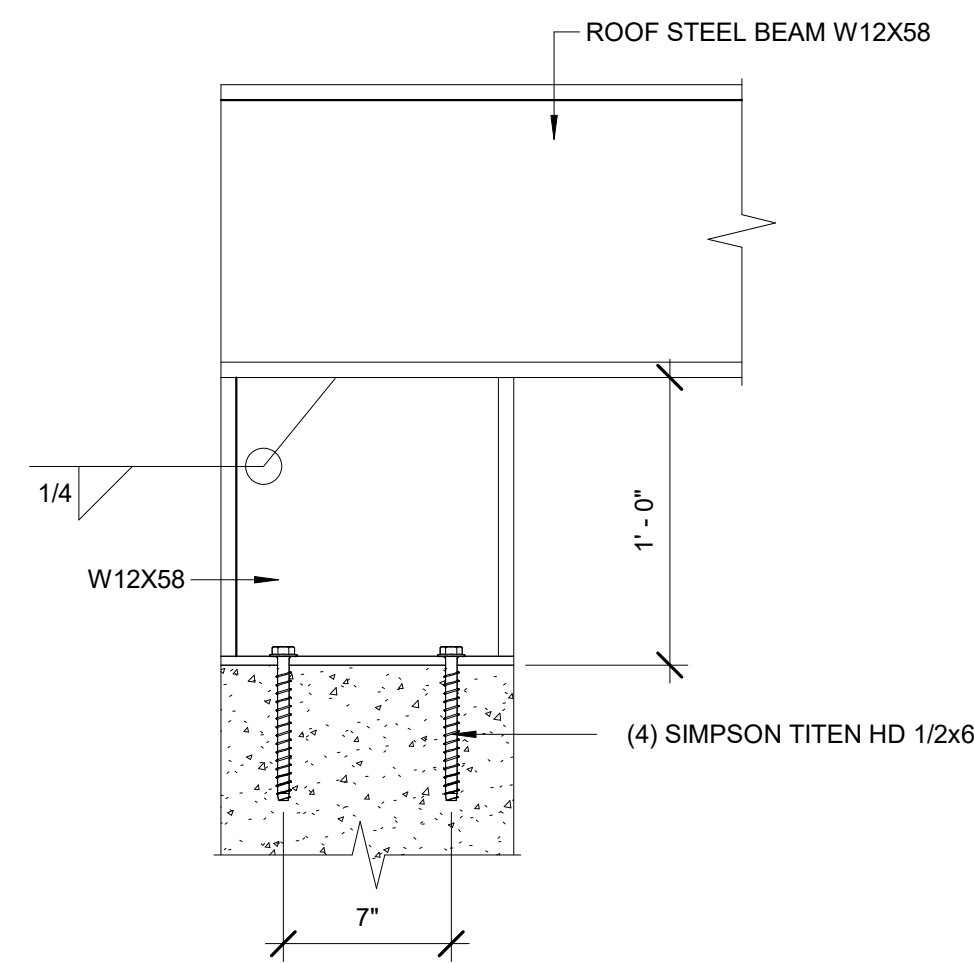
2 TRUSS TO WOOD WALL DETAIL  
1 1/2" = 1'-0"



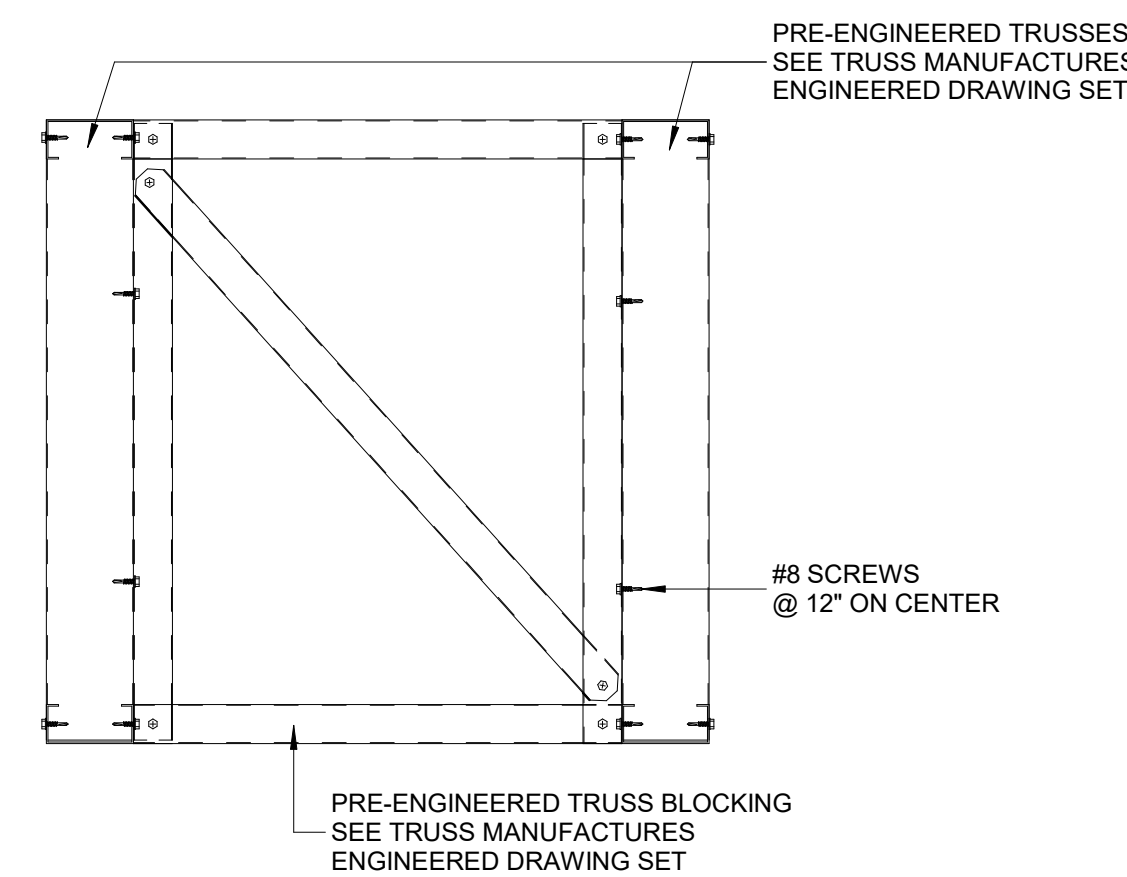
3 TRUSS TO ROOF BEAM DETAIL  
1 1/2" = 1'-0"



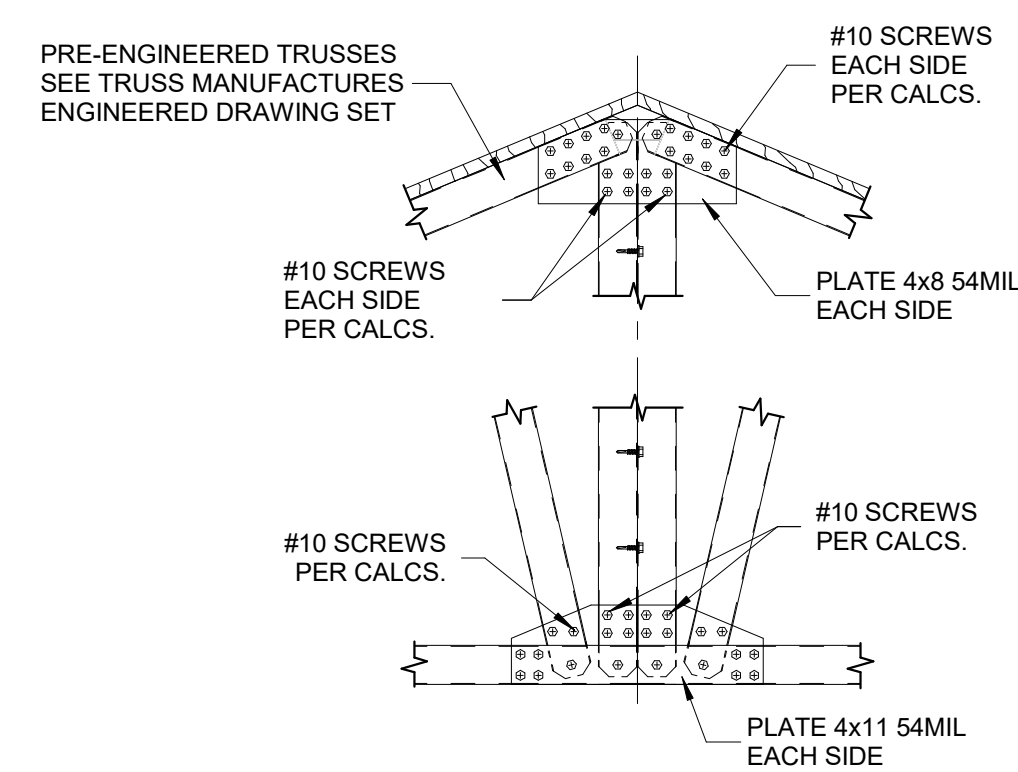
4 TRUSSES TO WALL DETAIL  
1 1/2" = 1'-0"



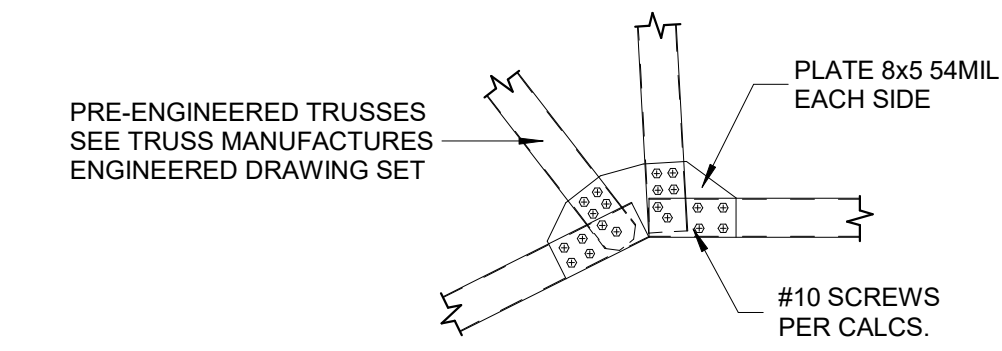
5 ROOF BEAM TO WALL DETAIL  
1 1/2" = 1'-0"



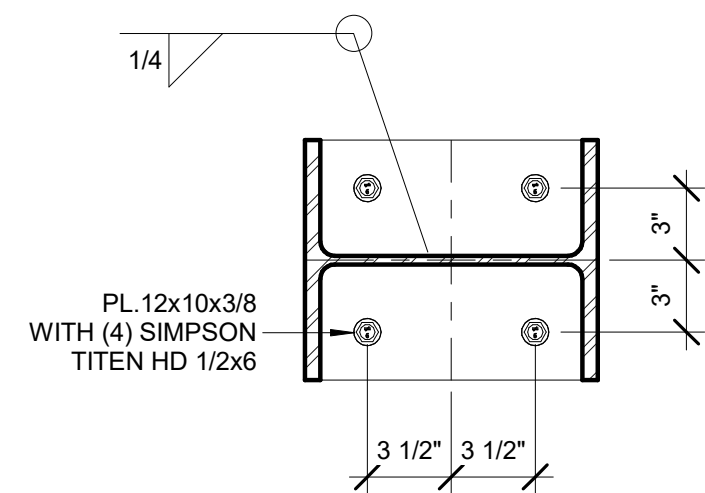
6 TRUSS BLOCKING DETAIL  
1 1/2" = 1'-0"



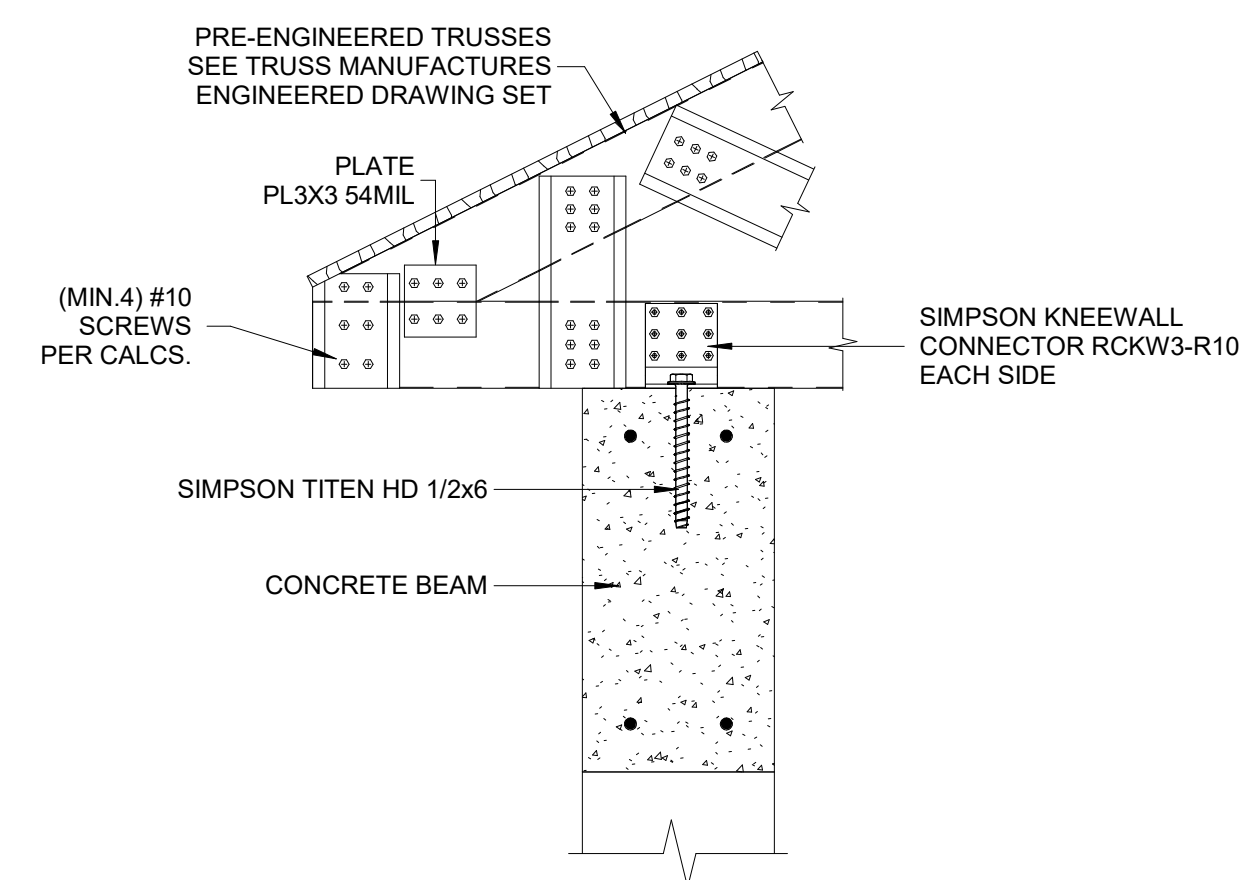
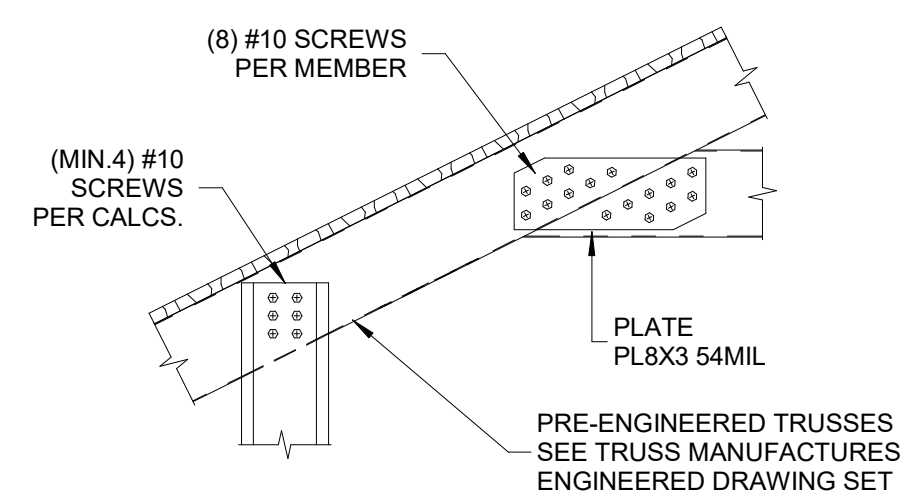
7 TRUSS TO TRUSS DETAIL  
1 1/2" = 1'-0"



8 TRUSS BOTTOM CHORD DETAIL  
1 1/2" = 1'-0"



9 TRUSS TO WALL DETAIL  
1 1/2" = 1'-0"



10 TRUSS TO WALL DETAIL  
1 1/2" = 1'-0"

THIS DRAWING IS NOT FINAL OR TO BE USED FOR CONSTRUCTION UNTIL IT IS SIGNED BY THE ENGINEER

SHEET NUMBER:  
**S7**  
DRAWN BY: DZ  
CHECKED BY: MK  
PROJECT NUMBER:  
SHEET NAME:  
**STRUCTURAL DETAILS**