

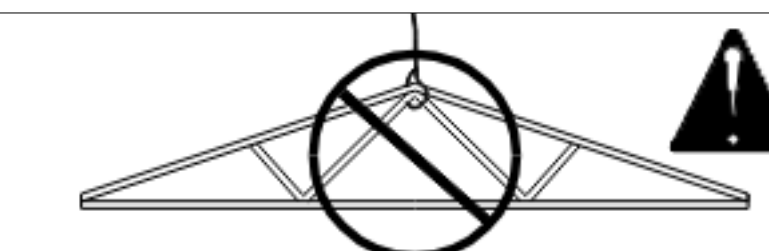
CALIFORNIA ENGINEER APPROVAL

THIS DRAWING IS NOT FINAL OR TO BE USED FOR CONSTRUCTION UNTIL IT IS SIGNED BY THE ENGINEER

CARIBBEAN ROAD SPEC
198 CARIBBEAN ROAD
NAPLES, FLORIDA 34108

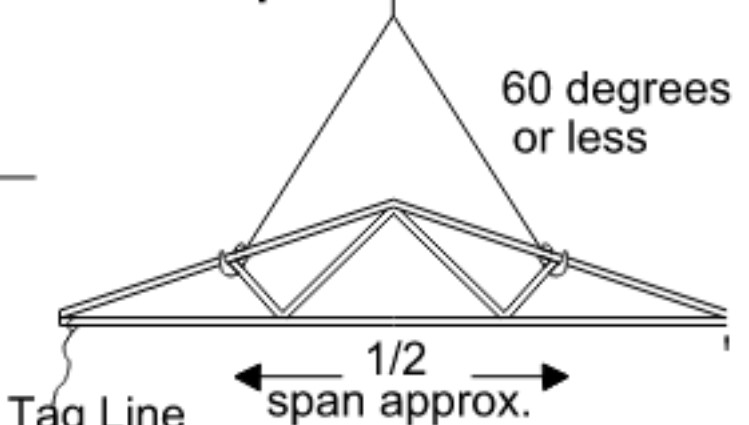
Truss Design Summary

Loading Code	IBC 2018
Top Chord Live	20
Top Chord Dead	05
Bottom Chord Live	00
Bottom Chord Dead	05
Snow Load	00
Wind Load Provisions	ASCE7-16
Wind Speed	163
Exposure Category	C
Risk Category	II
Roof Pitch	6/12
BC Restraints	2'-0"



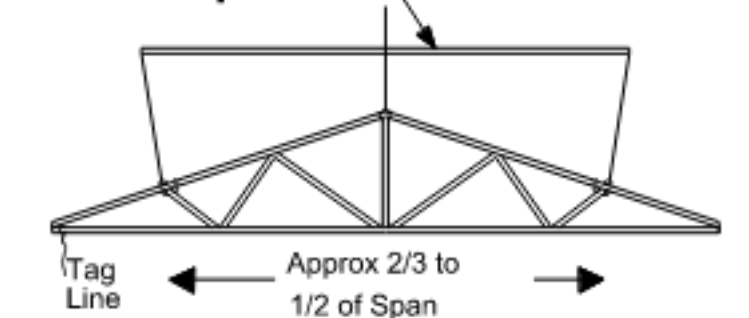
DON'T LIFT TRUSSES WITH SPANS LONGER THAN 30' BY THE PEAK. CONSULT CFSBCI

30' Span or less

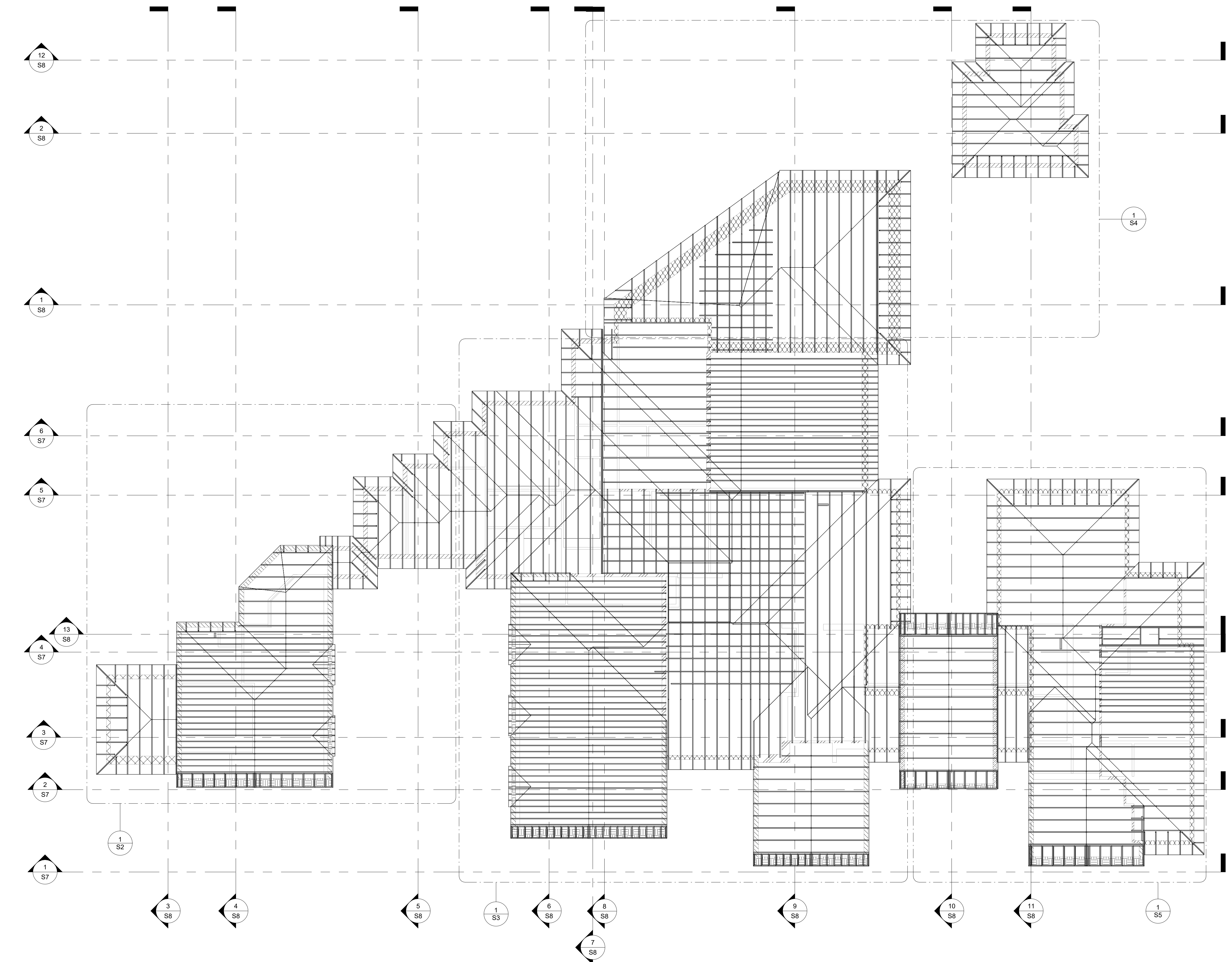
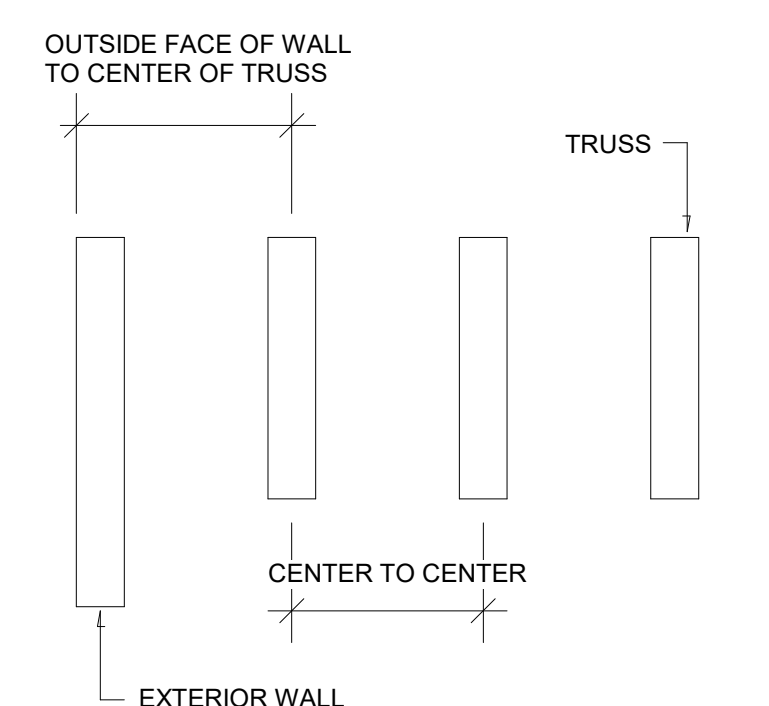


REFER TO CFSBCI
Truss must be set this way if crane used.
Truss is an example, your truss may not match.
Insist crane operator sets truss this way.

30' to 60' Span Spreader Bar



REFER TO CFSBCI
Truss must be set this way if crane used.
This is an example, truss may not match.
Insist crane operator sets truss this way.



2 ROOF FRAMING PLAN
1/8" = 1'-0"

SHEET NUMBER: **S1**
DRAWN BY _____
SHEET NAME: **ROOF FRAMING PLAN**
Author _____
CHECKED BY _____
Checker _____
PROJECT NUMBER _____



TAYNR, Inc.
600 Sunbeam Ave Suite 1
Sacramento, CA 95811

DRP Enterprises, LLC.
PO Box 4428
Palm Springs, CA 92263

info@TAYNR.com
(916) 891-3003
TAYNR.com

(206) 734-7765
dpatneaud@drpenterprises.org

CALIFORNIA ENGINEER APPROVAL

THIS DRAWING IS NOT FINAL OR TO BE USED FOR
CONSTRUCTION UNTIL IT IS SIGNED BY THE ENGINEER

CARIBBEAN ROAD SPEC
198 CARIBBEAN ROAD
NAPLES, FLORIDA 34108

SHEET NUMBER:

S2

DRAWN BY

Author

CHECKED BY

Checker

PROJECT NUMBER

SHEET NAME:

ROOF
FRAMING
PLAN

EXTERIOR BEARING ELEVATIONS

Exterior wall locations per Structural Drawings.

Load-bearing elevations for supporting trusses

9 ft

12 ft

14 ft

18 ft

24 ft 6 in

Gable wall

See General Notes & Specifications for additional requirements and material specifications.

All dimensions per Architectural plans

INTERIOR LOAD-BEARING PARTITION

Stud wall locations per Shop Drawings.

Load-bearing partition for supporting trusses

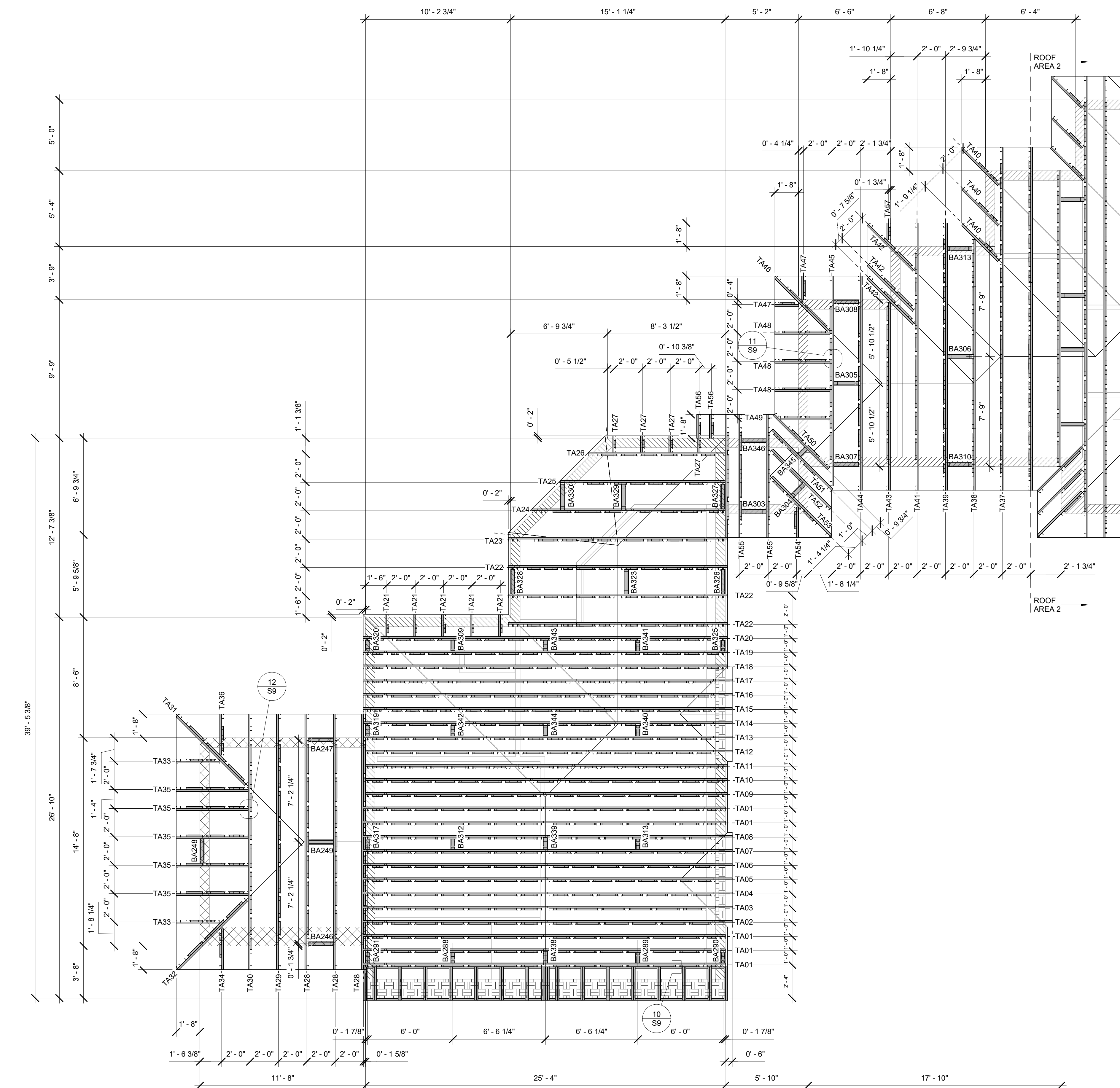
See General Notes & Specifications for additional requirements and material specifications.

All dimensions per Architectural plans

CEILING NOTES

Ceiling elevations and niche location see Architectural plans

Miscellaneous ceiling framing conditions shown on Architectural plans will be required to complete by Builder



1 ROOF FRAMING PLAN (AREA 1)
1/4" = 1'-0"



TAYNR, Inc.
600 Sunbeam Ave Suite 1
Sacramento, CA 95811

DRP Enterprises, LLC.
PO Box 4428
Palm Springs, CA 92263
(206) 734-7765
dpatneaud@drpenterprises.org

info@TAYNR.com
(916) 891-3003
TAYNR.com

CALIFORNIA ENGINEER APPROVAL

THIS DRAWING IS NOT FINAL OR TO BE USED FOR CONSTRUCTION UNTIL IT IS SIGNED BY THE ENGINEER

CARIBBEAN ROAD SPEC
198 CARIBBEAN ROAD
NAPLES, FLORIDA 34108

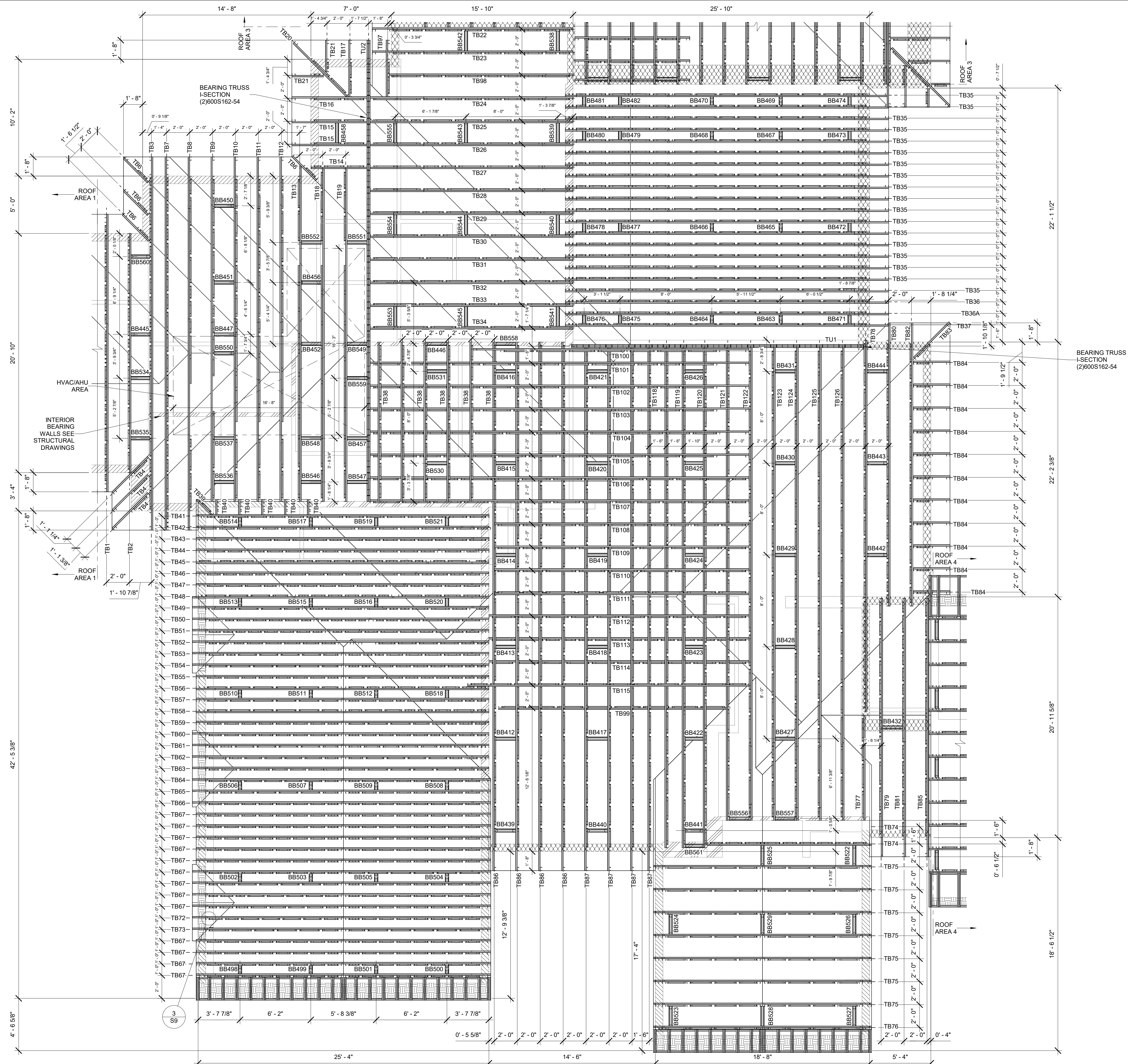
SHEET NUMBER:

S3

SHEET NAME:

ROOF FRAMING PLAN

DRAWN BY
Author
CHECKED BY
Checker
PROJECT NUMBER



1 ROOF FRAMING PLAN (AREA 2)
1/4" = 1'-0"



TAYNR, Inc.
600 Sunbeam Ave Suite 1
Sacramento, CA 95811

DRP Enterprises, LLC.
PO Box 4428
Palm Springs, CA 92263

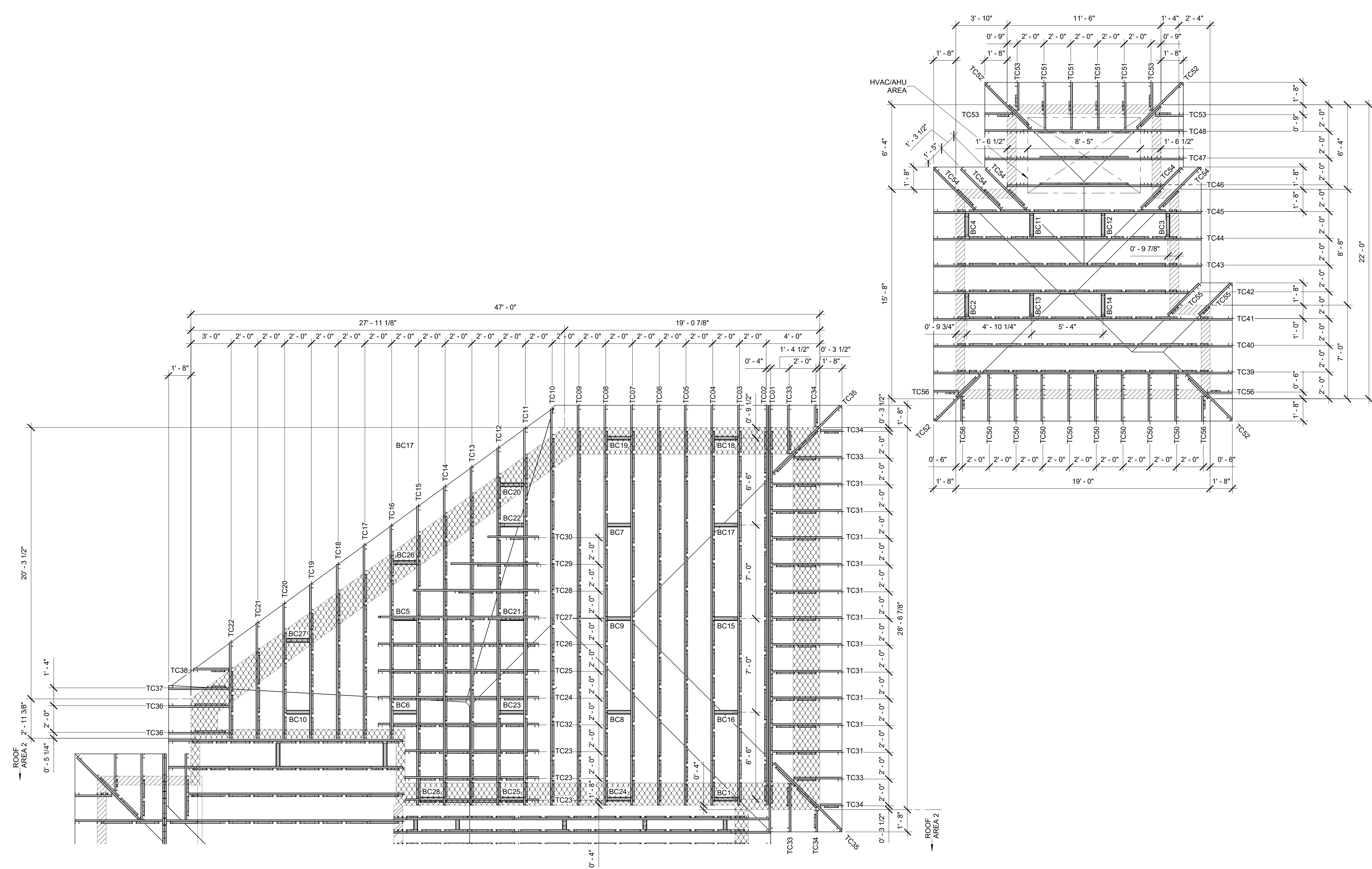
info@TAYNR.com
(916) 891-3003
TAYNR.com

(206) 734-7765
dpatneau@drpenterprises.org

CALIFORNIA ENGINEER APPROVAL

THIS DRAWING IS NOT FINAL OR TO BE USED FOR CONSTRUCTION UNTIL IT IS SIGNED BY THE ENGINEER

CARIBBEAN ROAD SPEC
198 CARIBBEAN ROAD
NAPLES, FLORIDA 34108



1 ROOF FRAMING PLAN (AREA 3)
1/4" = 1'-0"

SHEET NUMBER: **S4**

DRAWN BY _____

Author _____

CHECKED BY _____

Checker _____

PROJECT NUMBER _____

SHEET NAME:
ROOF FRAMING PLAN



TAYNR, Inc.
600 Sunbeam Ave Suite 1
Sacramento, CA 95811

DRP Enterprises, LLC.
PO Box 4428
Palm Springs, CA 92263
(206) 734-7765
dpatneaud@drpenterprises.org

CALIFORNIA ENGINEER APPROVAL

THIS DRAWING IS NOT FINAL OR TO BE USED FOR CONSTRUCTION UNTIL IT IS SIGNED BY THE ENGINEER

CARIBBEAN ROAD SPEC
198 CARIBBEAN ROAD
NAPLES, FLORIDA 34108

SHEET NUMBER:

S5

DRAWN BY _____

Author _____

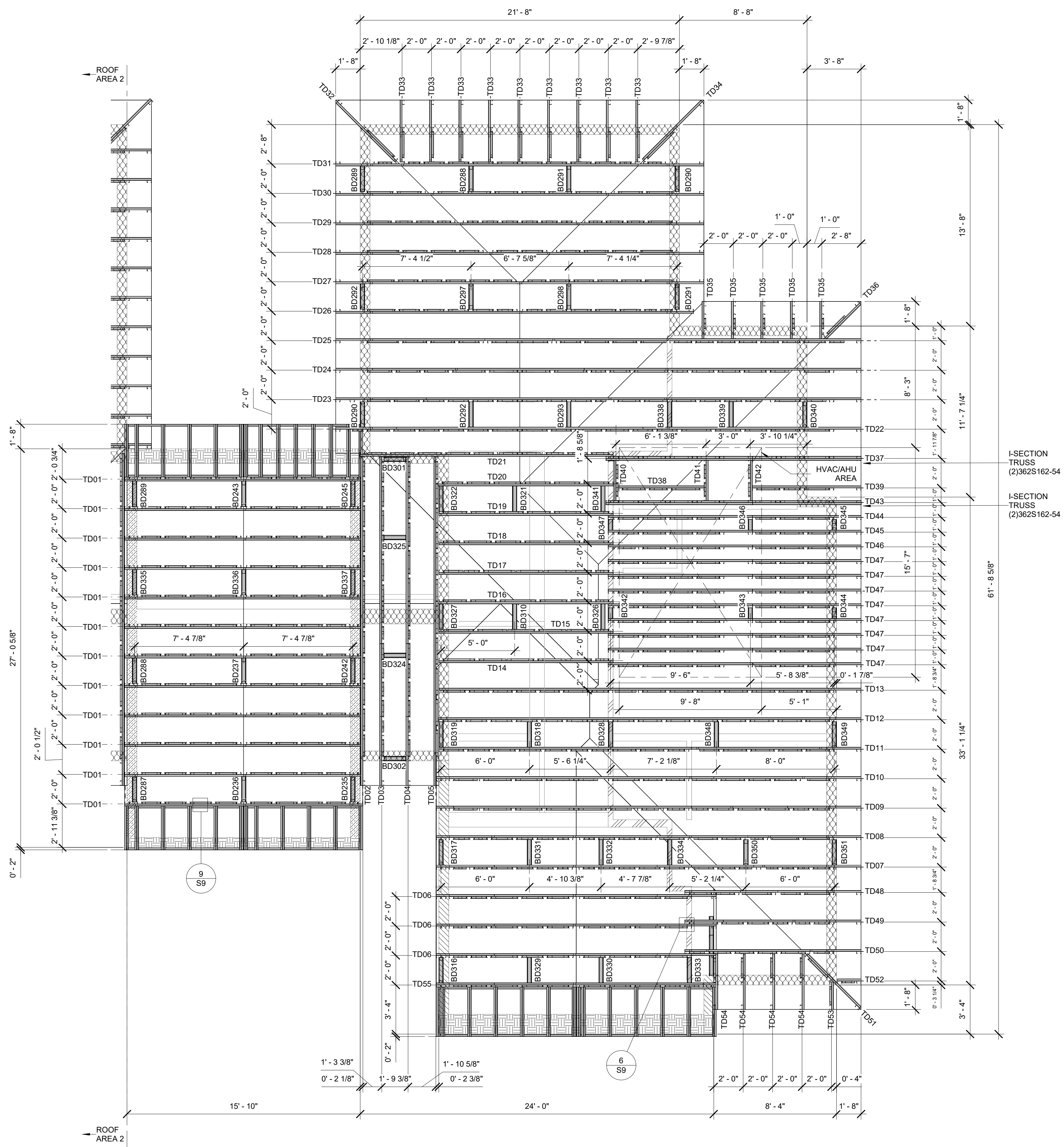
CHECKED BY _____

Checker _____

PROJECT NUMBER _____

SHEET NAME:

**ROOF
FRAMING
PLAN**



1 ROOF FRAMING PLAN (AREA 4)
1/4" = 1'-0"



TAYNR, Inc.
600 Sunbeam Ave Suite 1
Sacramento, CA 95811

DRP Enterprises, LLC.
PO Box 4428
Palm Springs, CA 92263

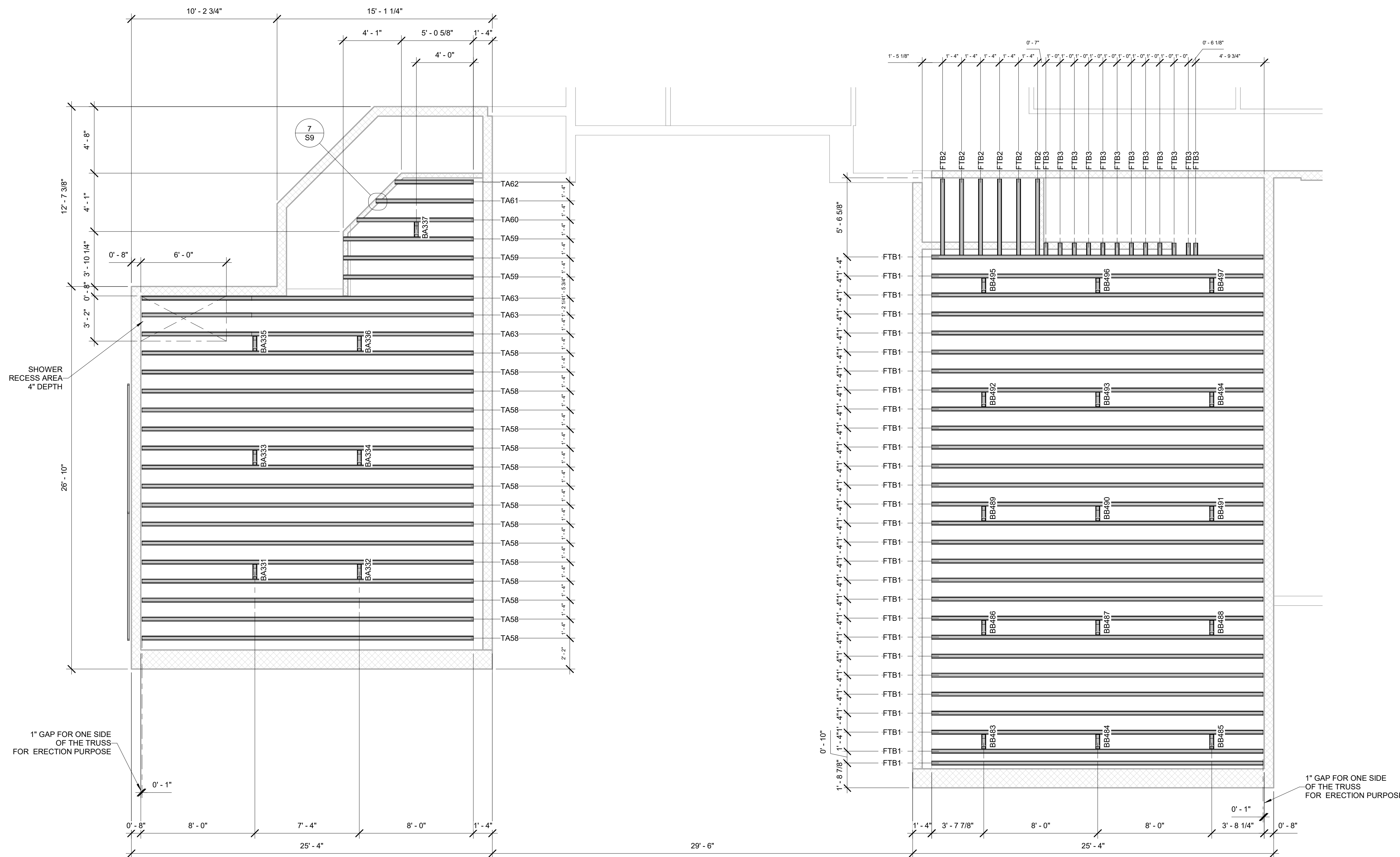
info@TAYNR.com
(916) 891-3003
TAYNR.com

(206) 734-7765
dpatneau@drpenterprises.org

CALIFORNIA ENGINEER APPROVAL

THIS DRAWING IS NOT FINAL OR TO BE USED FOR CONSTRUCTION UNTIL IT IS SIGNED BY THE ENGINEER

CARIBBEAN ROAD SPEC
198 CARIBBEAN ROAD
NAPLES, FLORIDA 34108



1 FLOOR FRAMING PLAN
1/4" = 1'-0"

SHEET NUMBER:
S6
DRAWN BY
Author
CHECKED BY
Checker
PROJECT NUMBER
SHEET NAME:
FLOOR FRAMING PLAN



TAYNR, Inc.
600 Sunbeam Ave Suite 1
Sacramento, CA 95811

info@TAYNR.com
(916) 891-3003
TAYNR.com

DRP Enterprises, LLC.
PO Box 4428
Palm Springs, CA 92263

(206) 734-7765
dpatneaud@drpenterprises.org

CALIFORNIA ENGINEER APPROVAL

THIS DRAWING IS NOT FINAL OR TO BE USED FOR CONSTRUCTION UNTIL IT IS SIGNED BY THE ENGINEER

CARIBBEAN ROAD SPEC
198 CARIBBEAN ROAD
NAPLES, FLORIDA 34108

SHEET NUMBER:

S7

DRAWN BY

Author

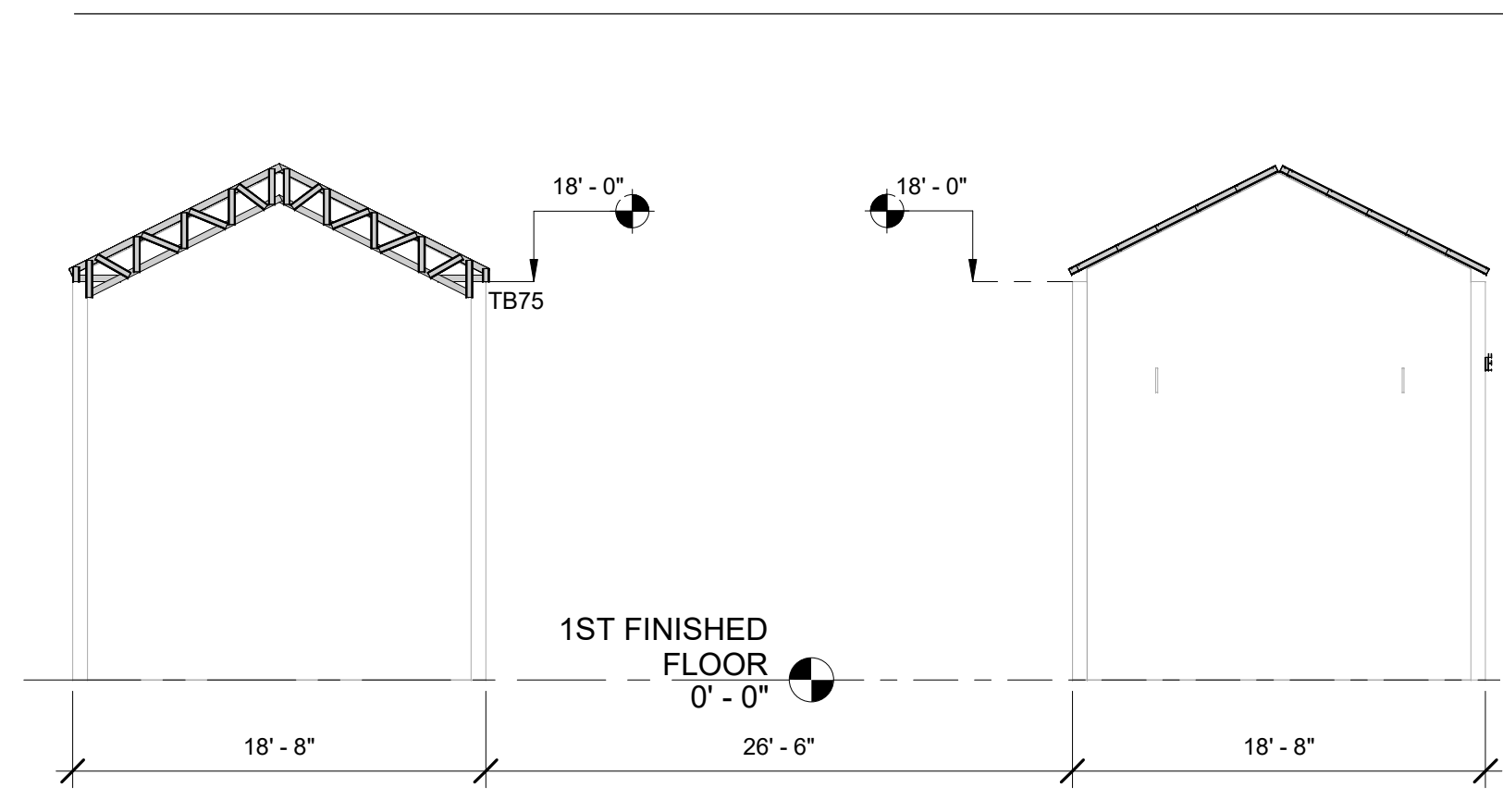
CHECKED BY

Checker

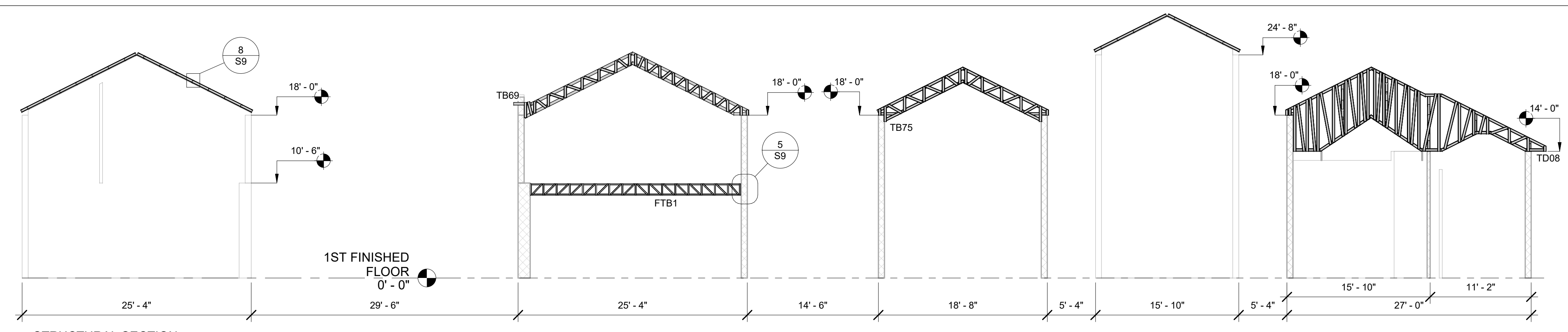
PROJECT NUMBER

SHEET NAME:

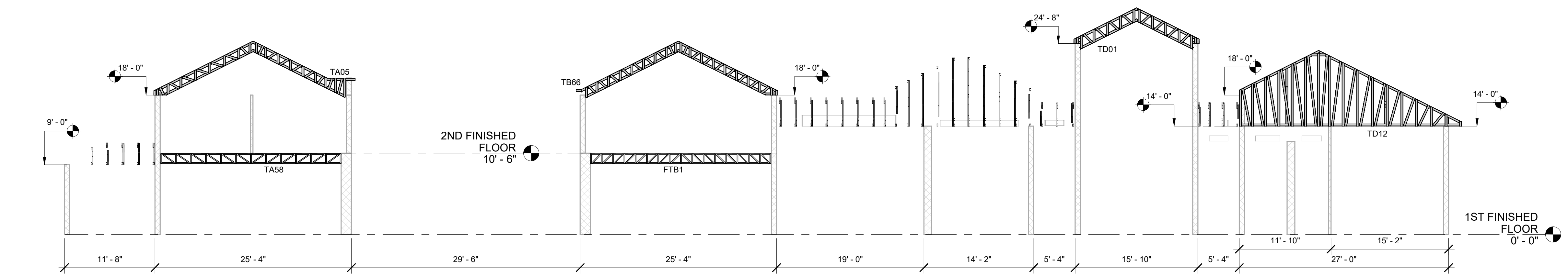
STRUCTURAL SECTIONS



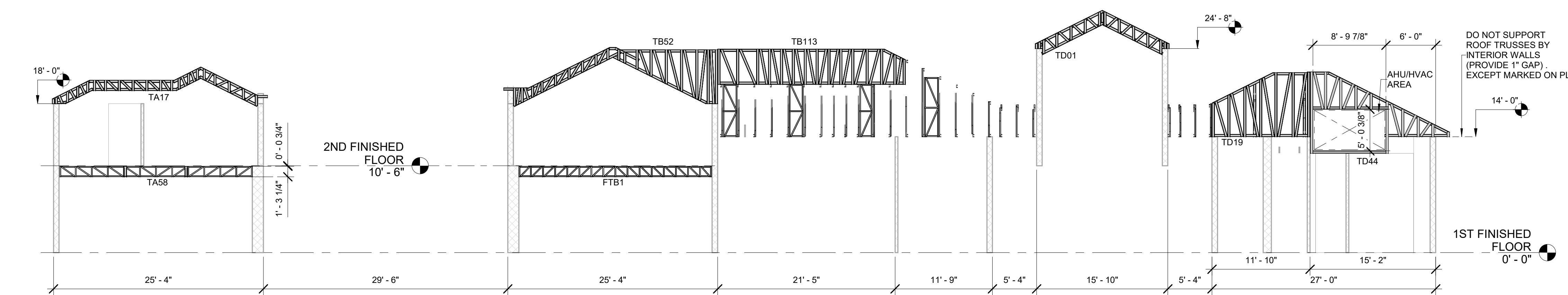
1 STRUCTURAL SECTION
1/8" = 1'-0"



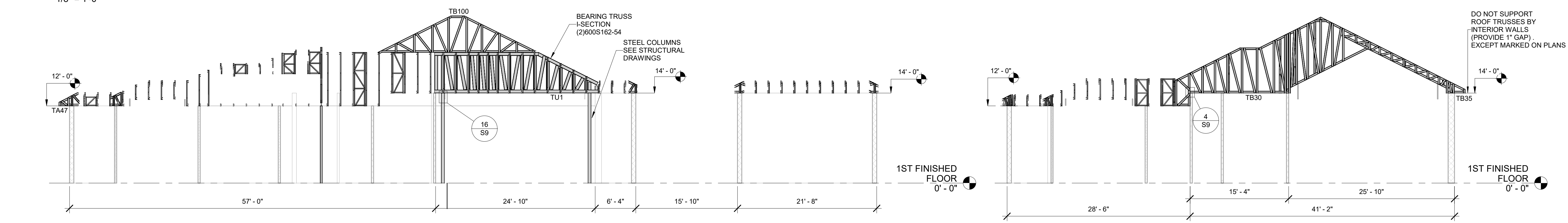
2 STRUCTURAL SECTION
1/8" = 1'-0"



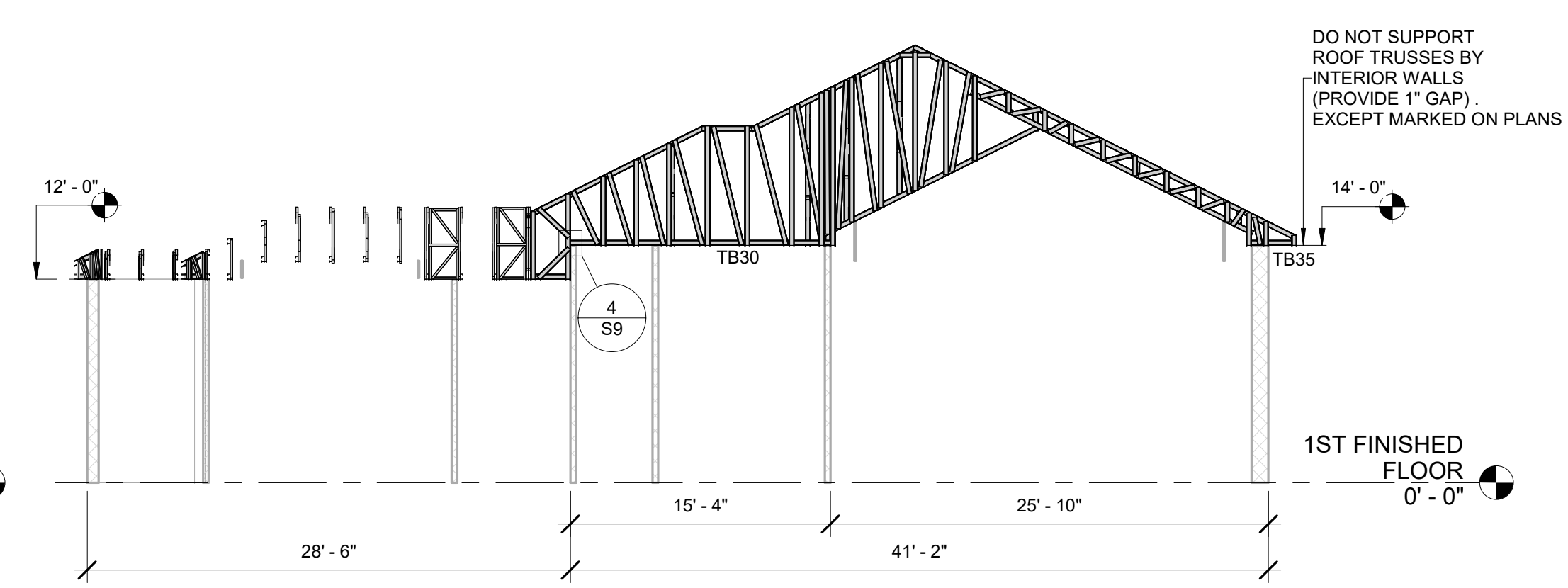
3 STRUCTURAL SECTION
1/8" = 1'-0"



4 STRUCTURAL SECTION
1/8" = 1'-0"



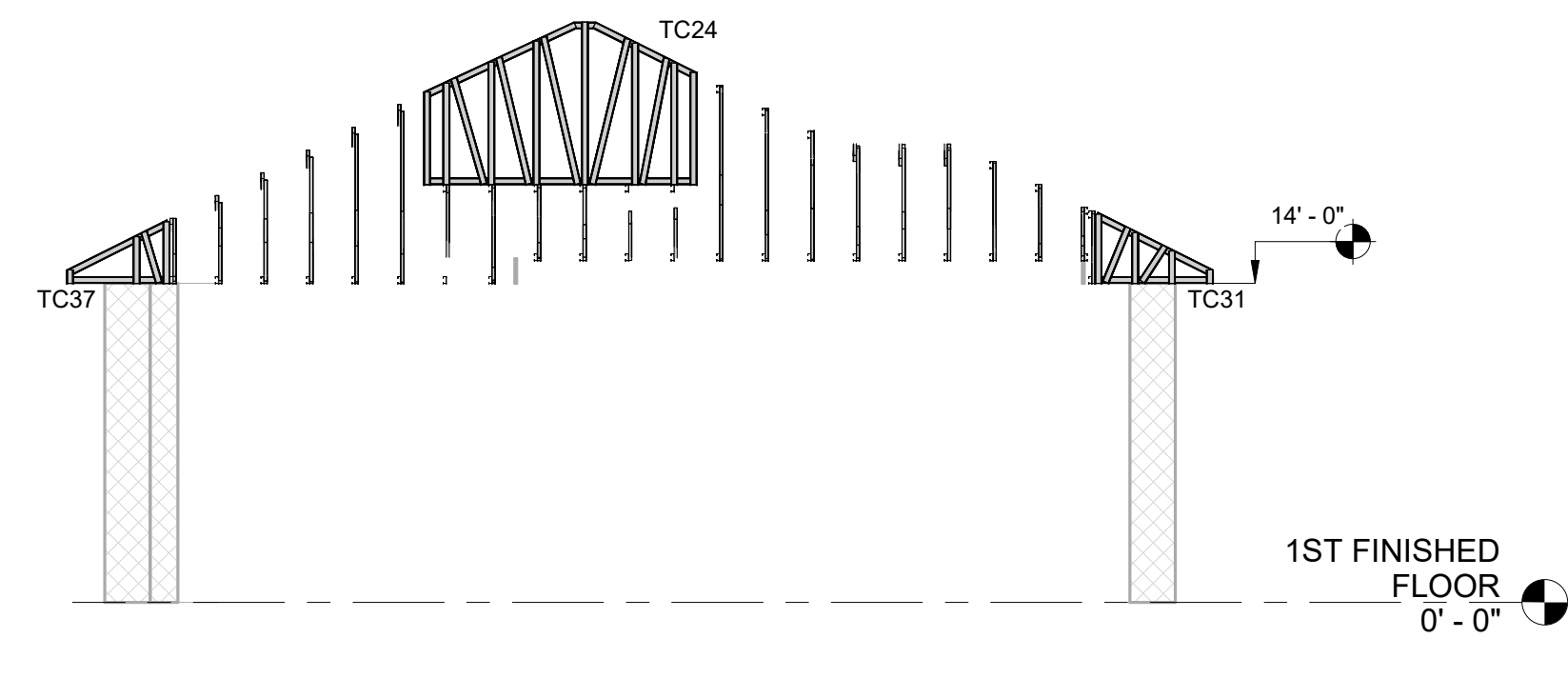
5 STRUCTURAL SECTION
1/8" = 1'-0"



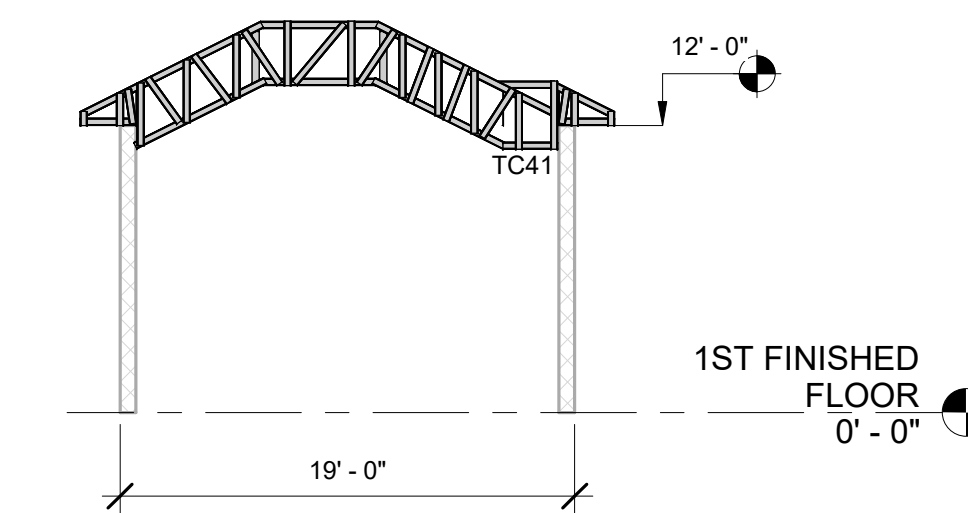
6 STRUCTURAL SECTION
1/8" = 1'-0"

CALIFORNIA ENGINEER APPROVAL

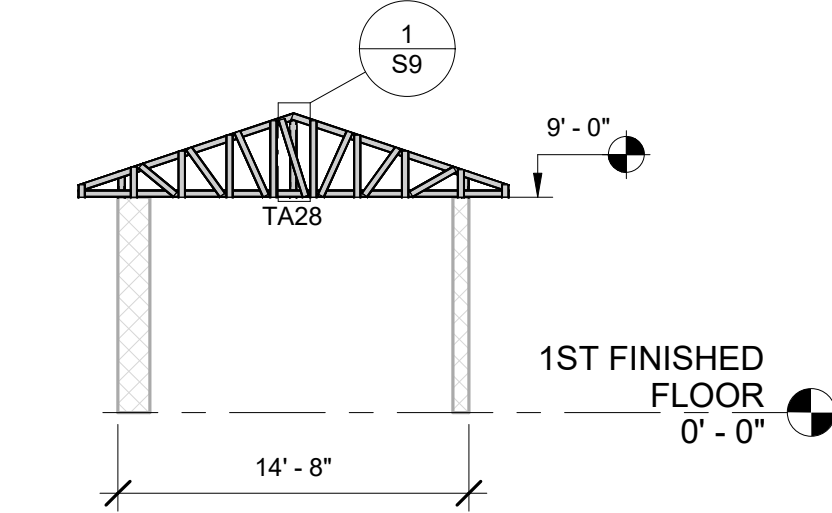
THIS DRAWING IS NOT FINAL OR TO BE USED FOR CONSTRUCTION UNTIL IT IS SIGNED BY THE ENGINEER



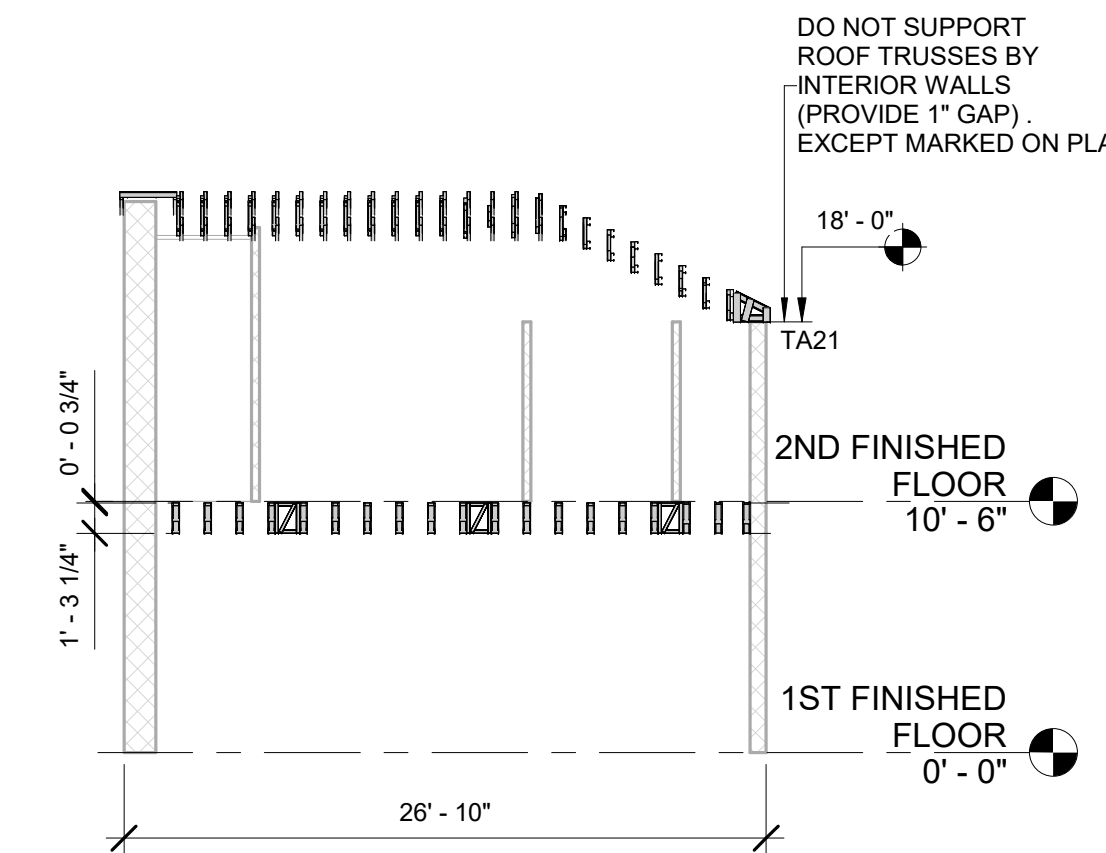
1 STRUCTURAL SECTION
1/8" = 1'-0"



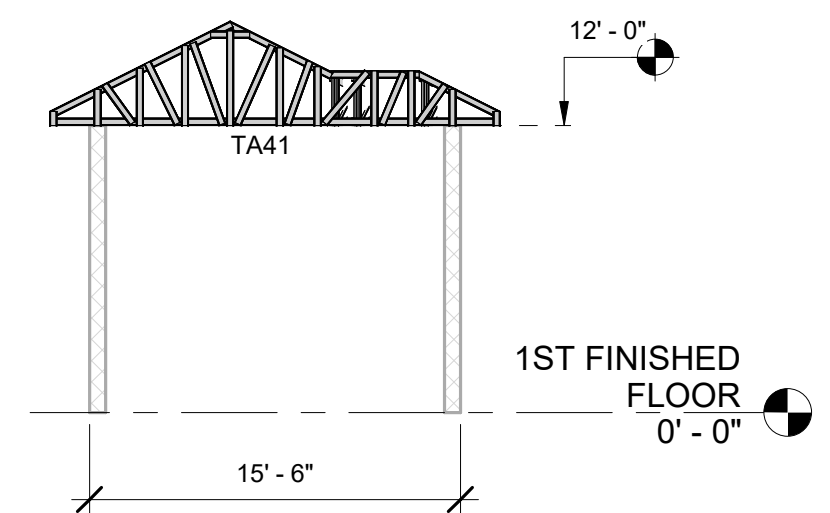
2 STRUCTURAL SECTION
1/8" = 1'-0"



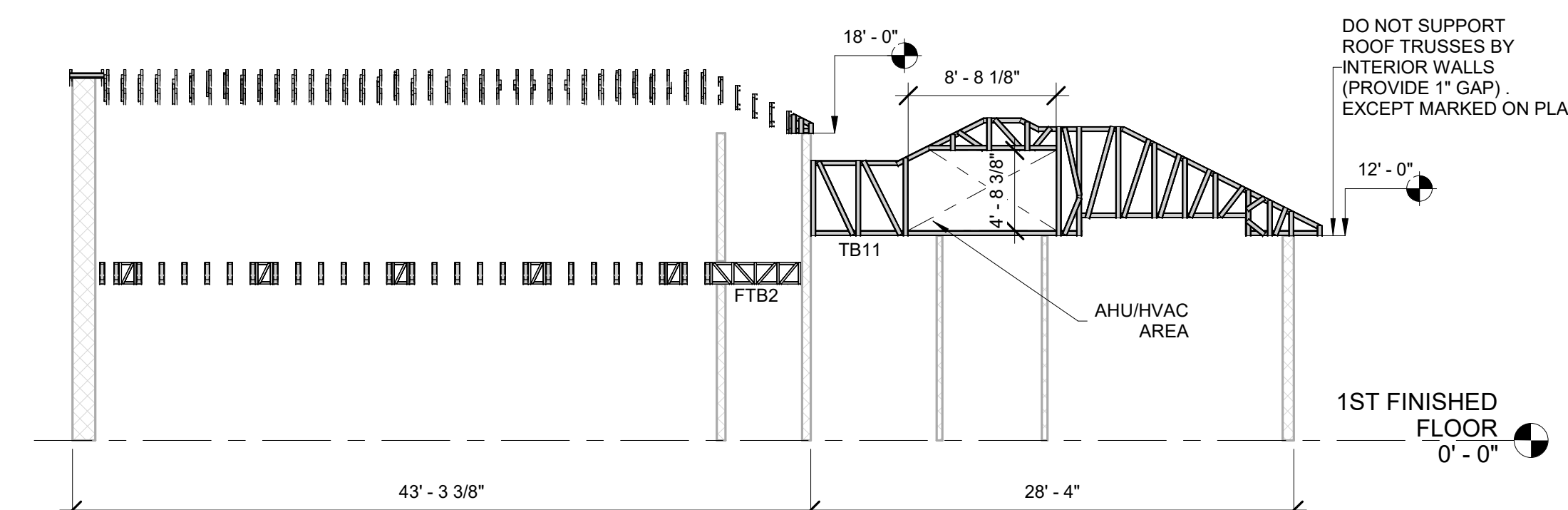
3 STRUCTURAL SECTION
1/8" = 1'-0"



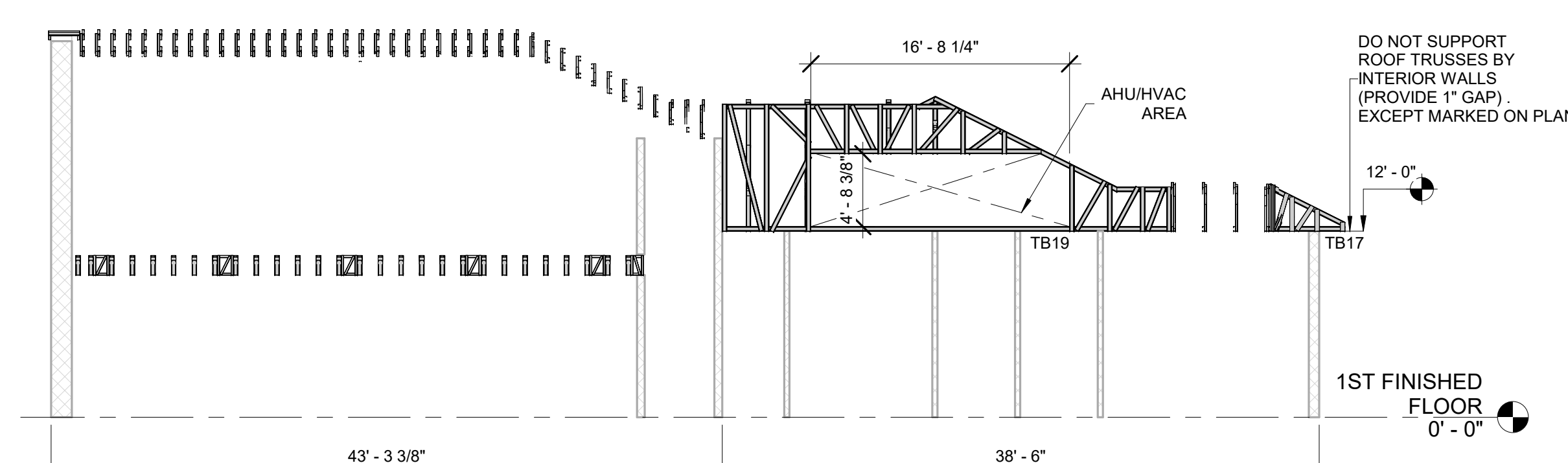
4 STRUCTURAL SECTION
1/8" = 1'-0"



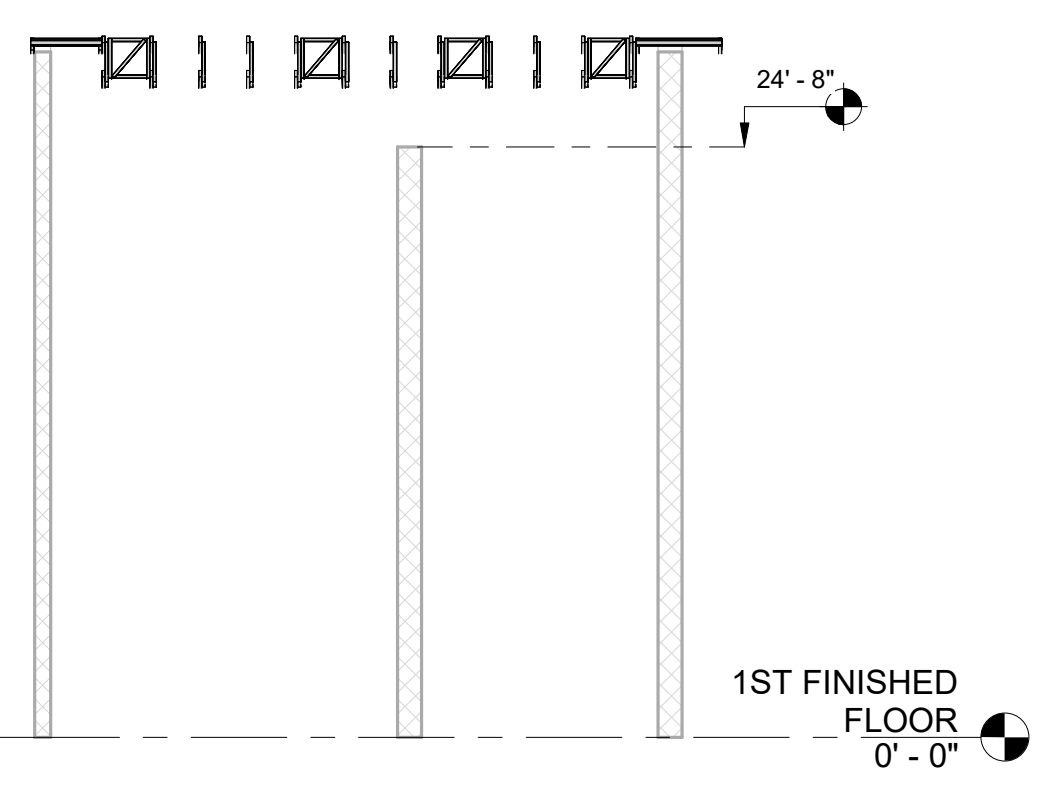
5 STRUCTURAL SECTION
1/8" = 1'-0"



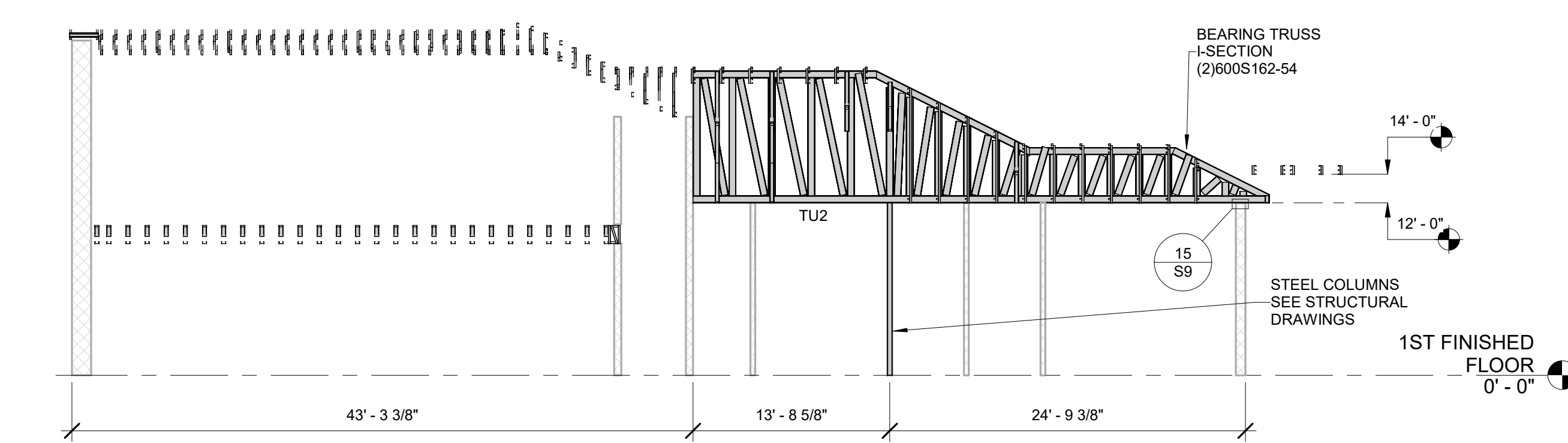
6 STRUCTURAL SECTION
1/8" = 1'-0"



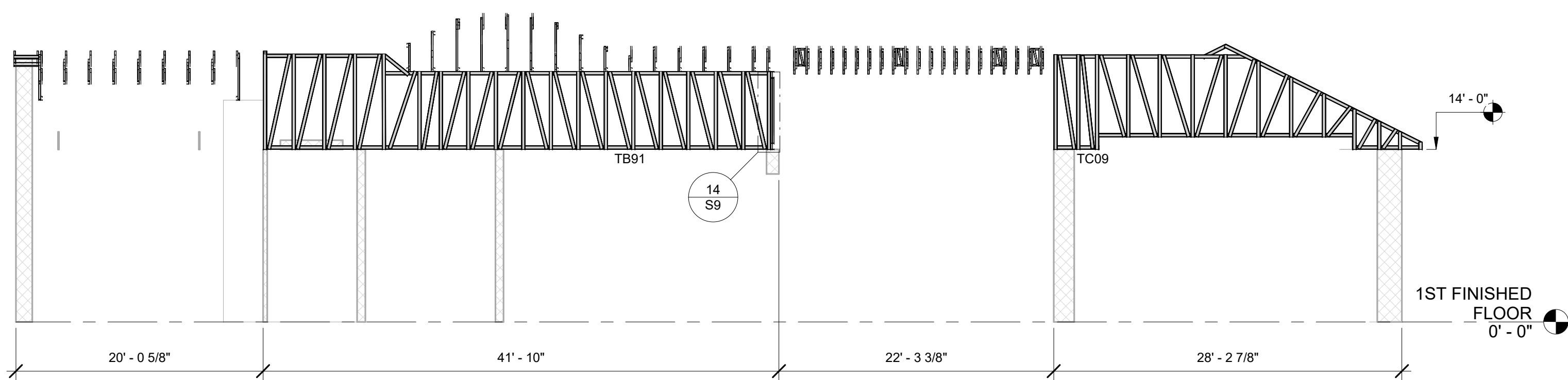
7 STRUCTURAL SECTION
1/8" = 1'-0"



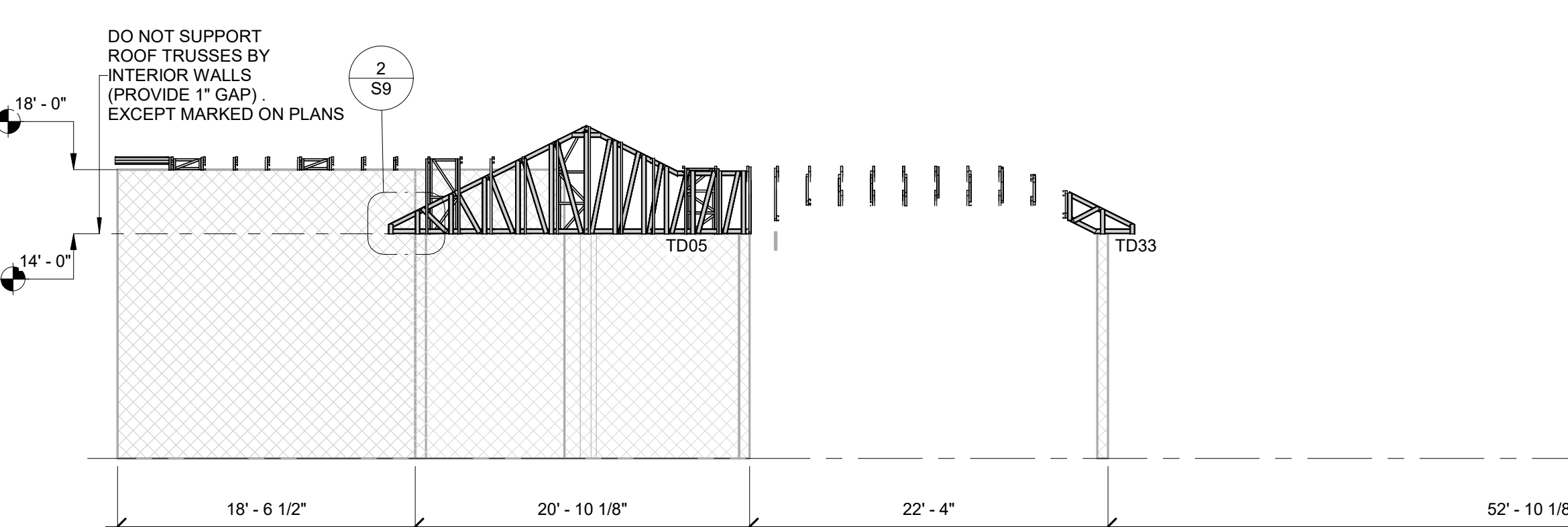
10 STRUCTURAL SECTION
1/8" = 1'-0"



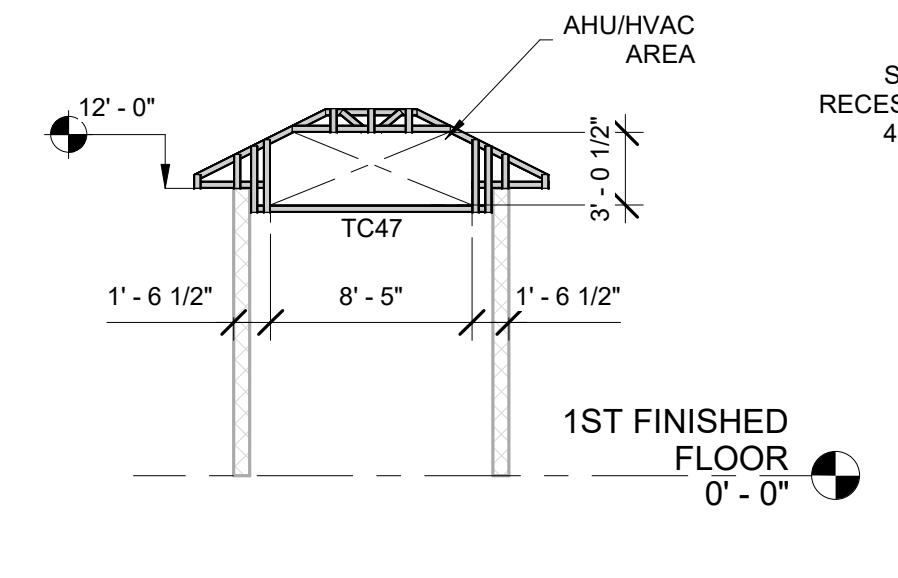
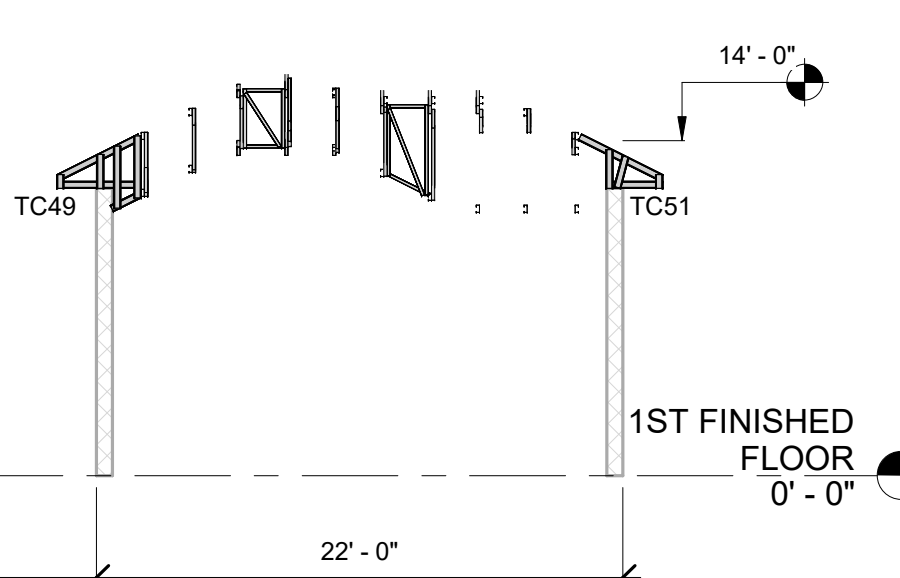
8 STRUCTURAL SECTION
1/8" = 1'-0"



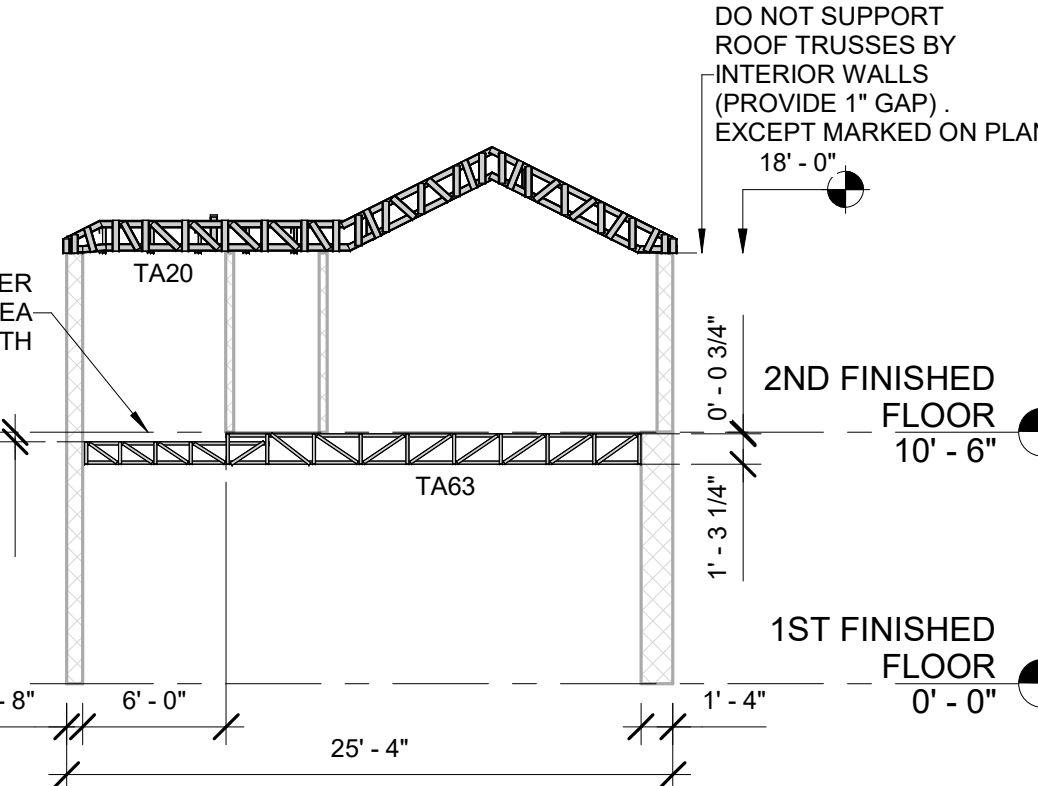
9 STRUCTURAL SECTION
1/8" = 1'-0"



11 STRUCTURAL SECTION
1/8" = 1'-0"



12 STRUCTURAL SECTION
1/8" = 1'-0"



13 STRUCTURAL SECTION
1/8" = 1'-0"

CARIBBEAN ROAD SPEC
198 CARIBBEAN ROAD
NAPLES, FLORIDA 34108

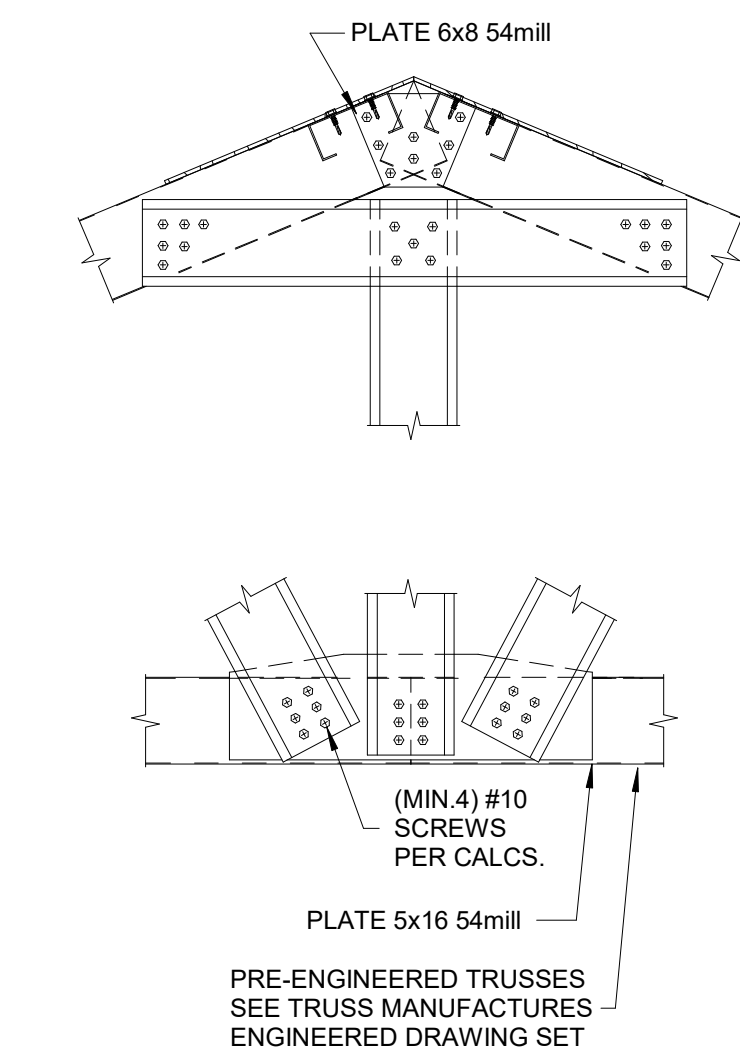
SHEET NUMBER:
S8

SHEET NAME:
STRUCTURAL SECTIONS

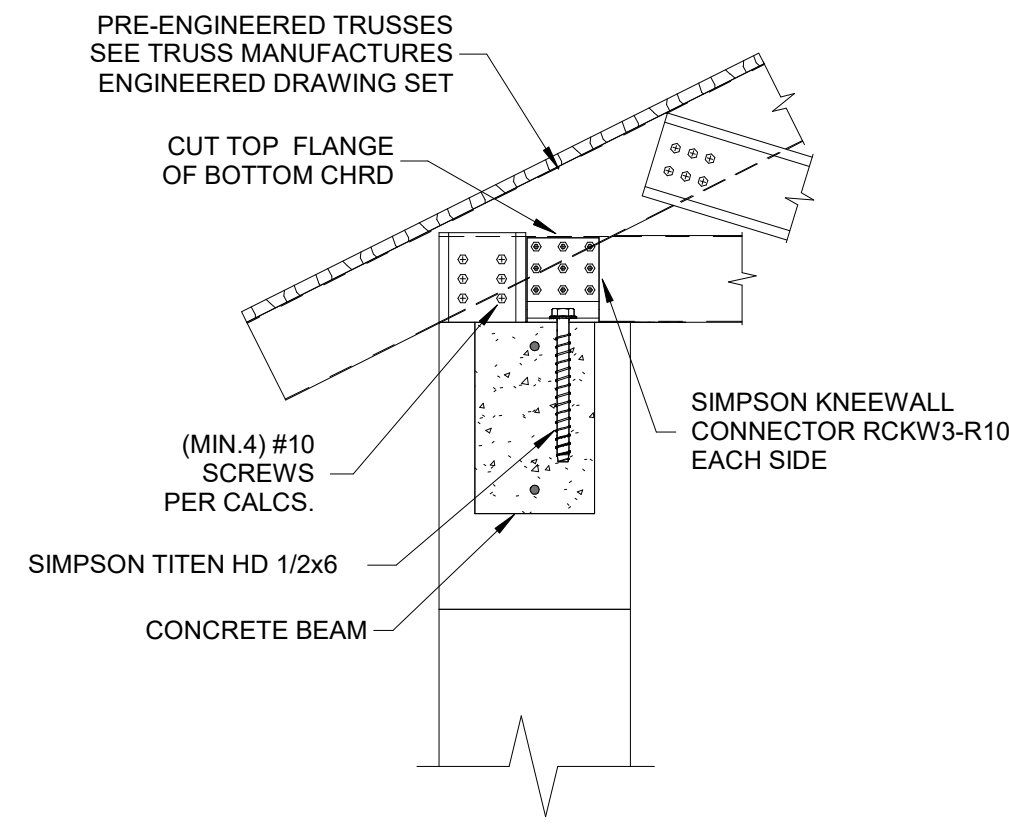
DRAWN BY
Author
CHECKED BY
Checker
PROJECT NUMBER

CALIFORNIA ENGINEER APPROVAL

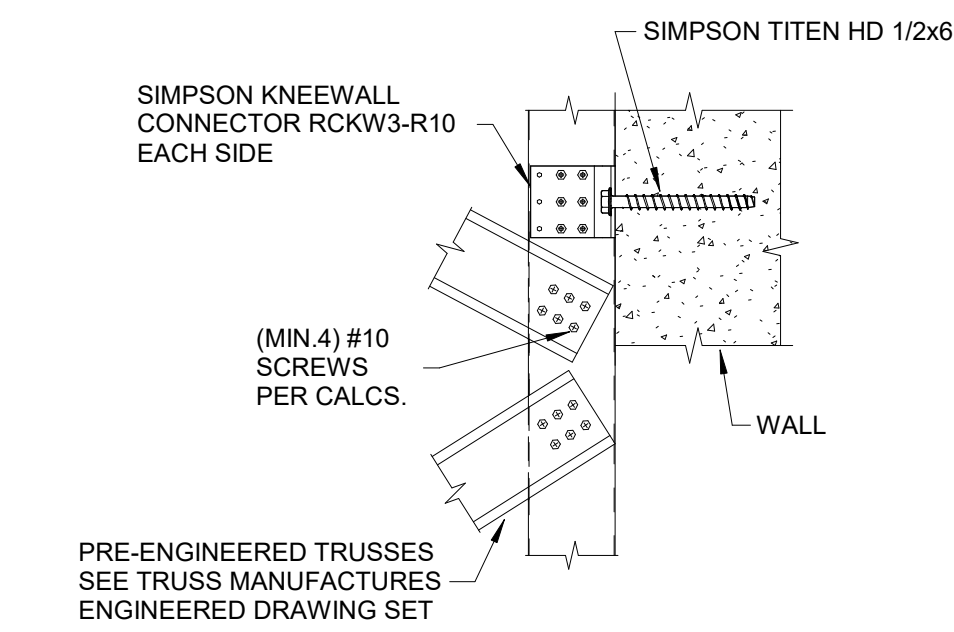
THIS DRAWING IS NOT FINAL OR TO BE USED FOR CONSTRUCTION UNTIL IT IS SIGNED BY THE ENGINEER



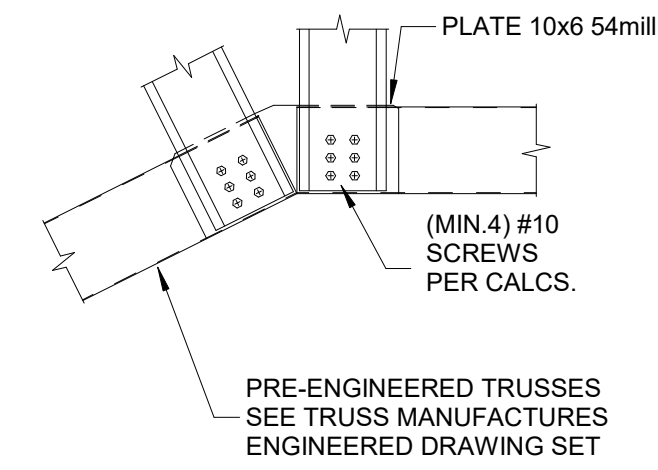
1 TRUSS TO TRUSS DETAIL
1 1/2" = 1'-0"



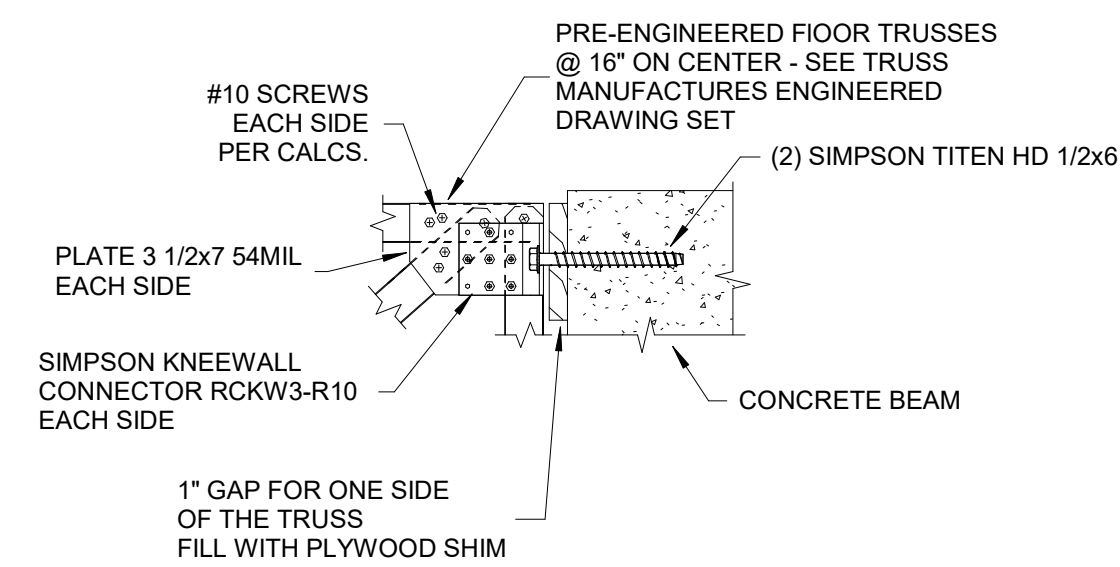
2 TRUSS TO AAC WALL DETAIL
1 1/2" = 1'-0"



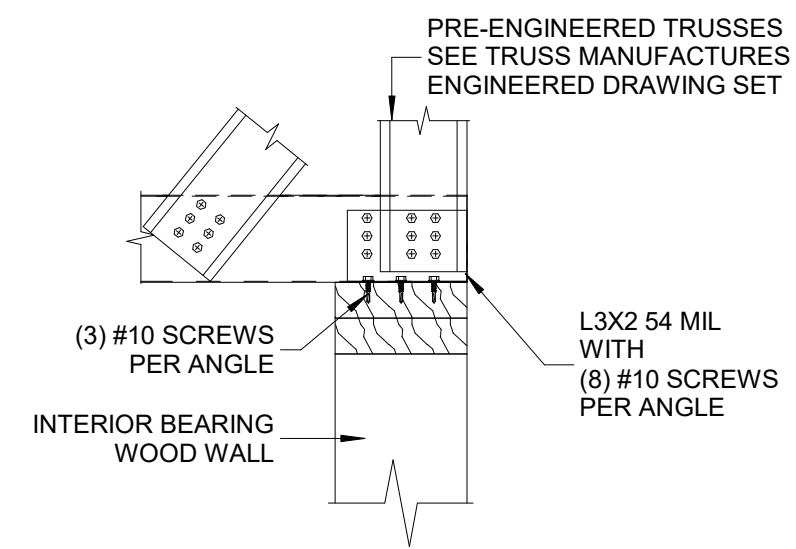
3 TRUSS TO WALL SIDE DETAIL
1 1/2" = 1'-0"



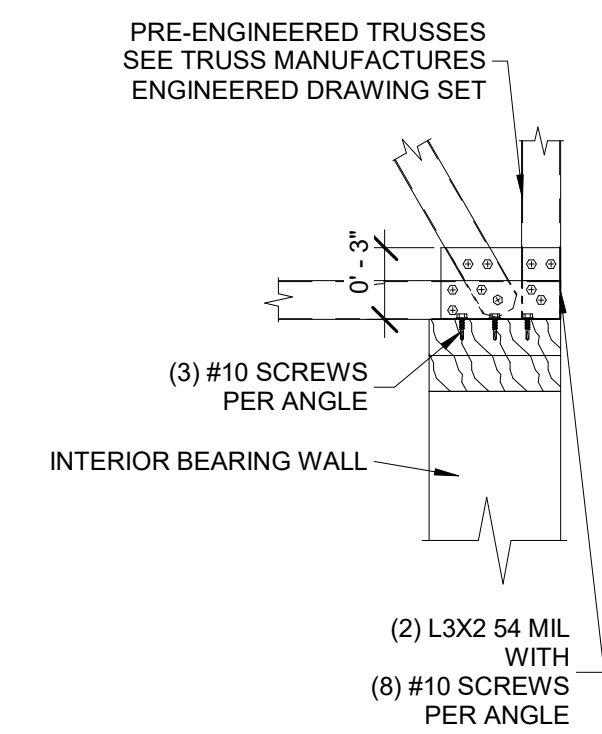
4 TRUSS BOTTOM CHORD DETAIL
1 1/2" = 1'-0"



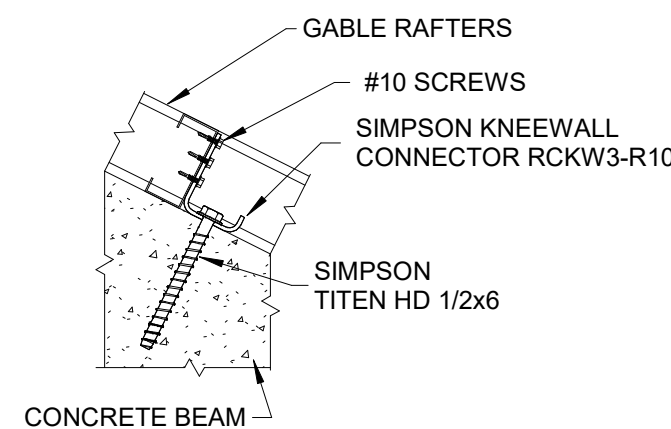
5 TRUSS TO CONCRETE BEAM SIDE DETAIL
1 1/2" = 1'-0"



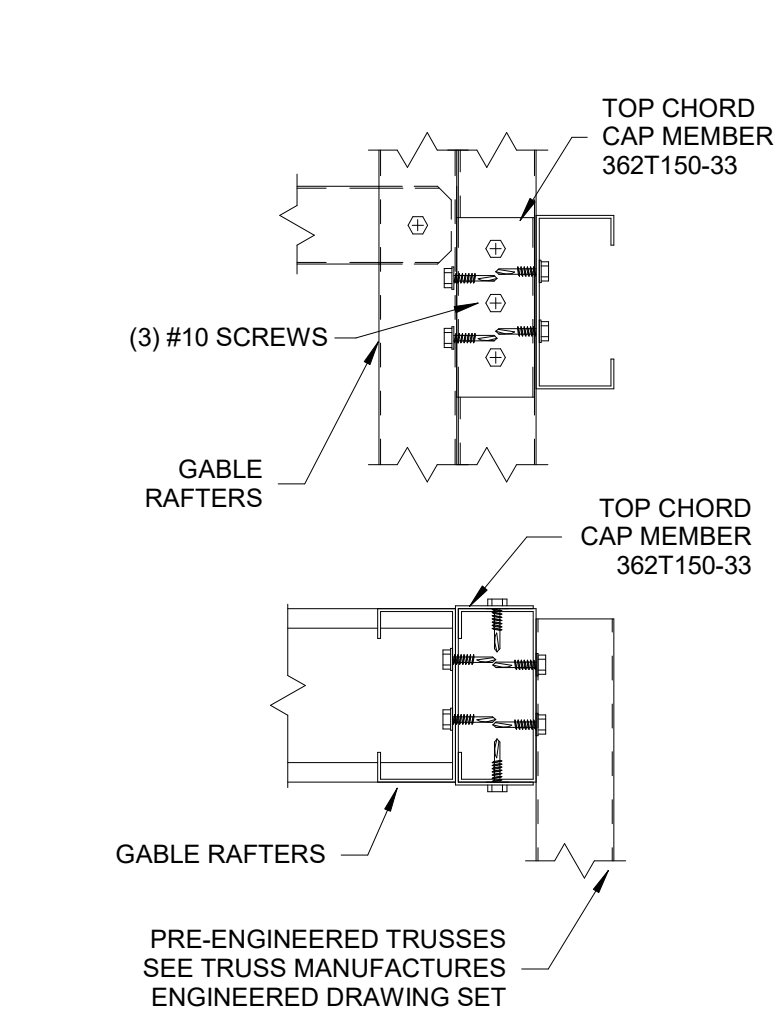
6 TRUSS TO WOOD WALL DETAIL
1 1/2" = 1'-0"



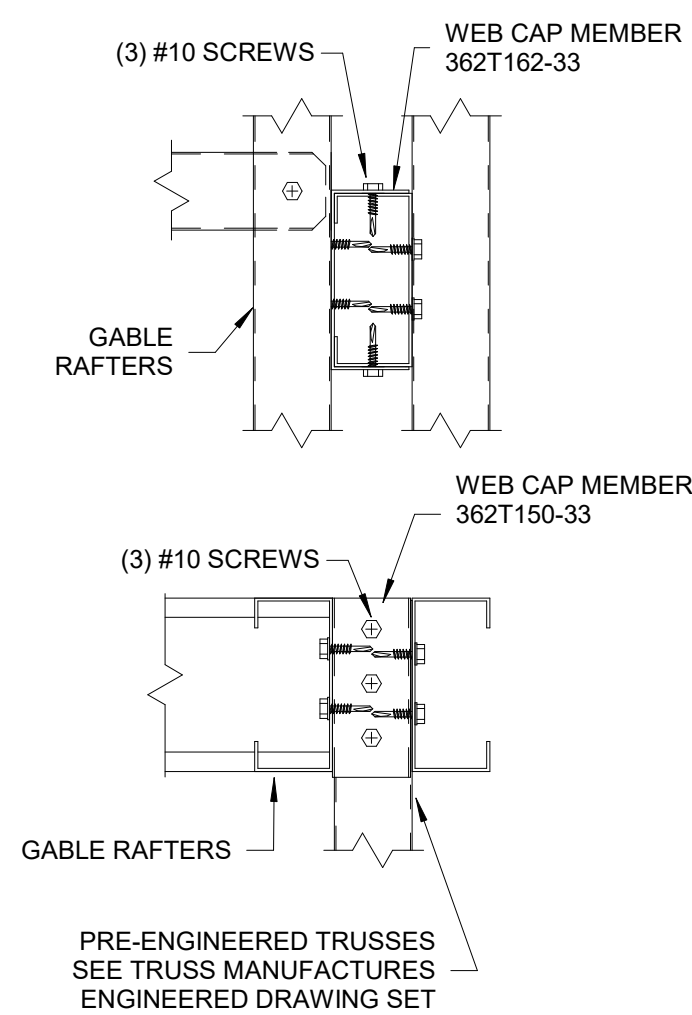
7 TRUSS TO WOOD WALL DETAIL
1 1/2" = 1'-0"



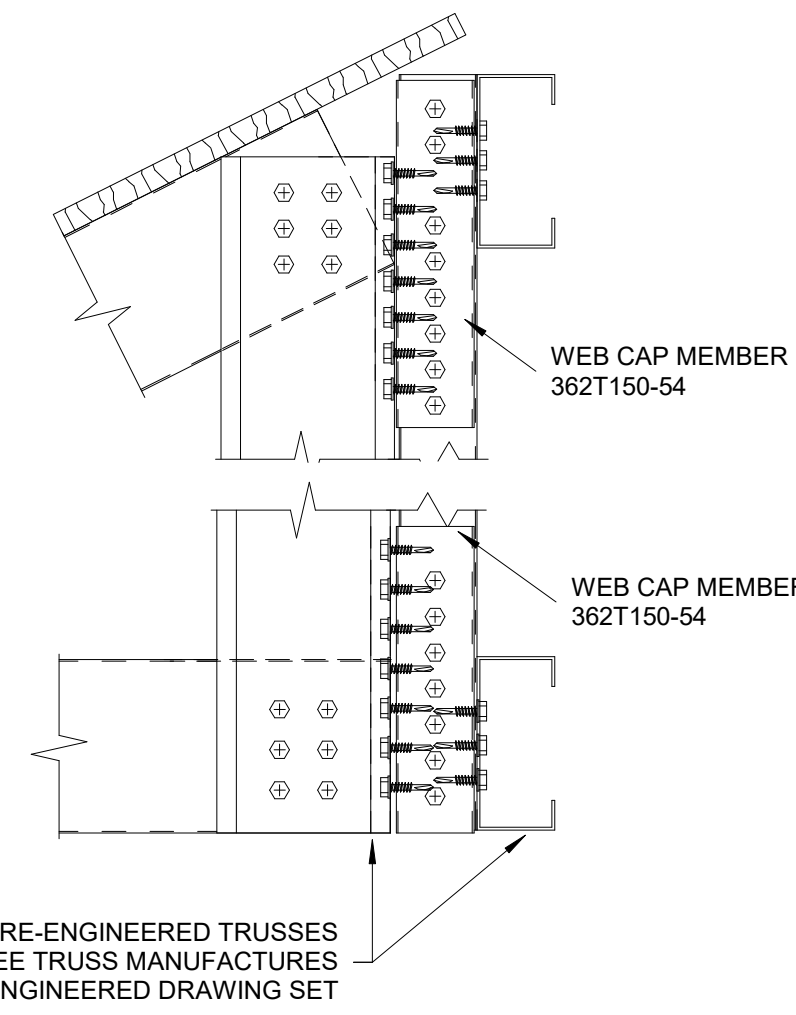
8 GABLE RAFTER TO WALL PART DETAIL
1 1/2" = 1'-0"



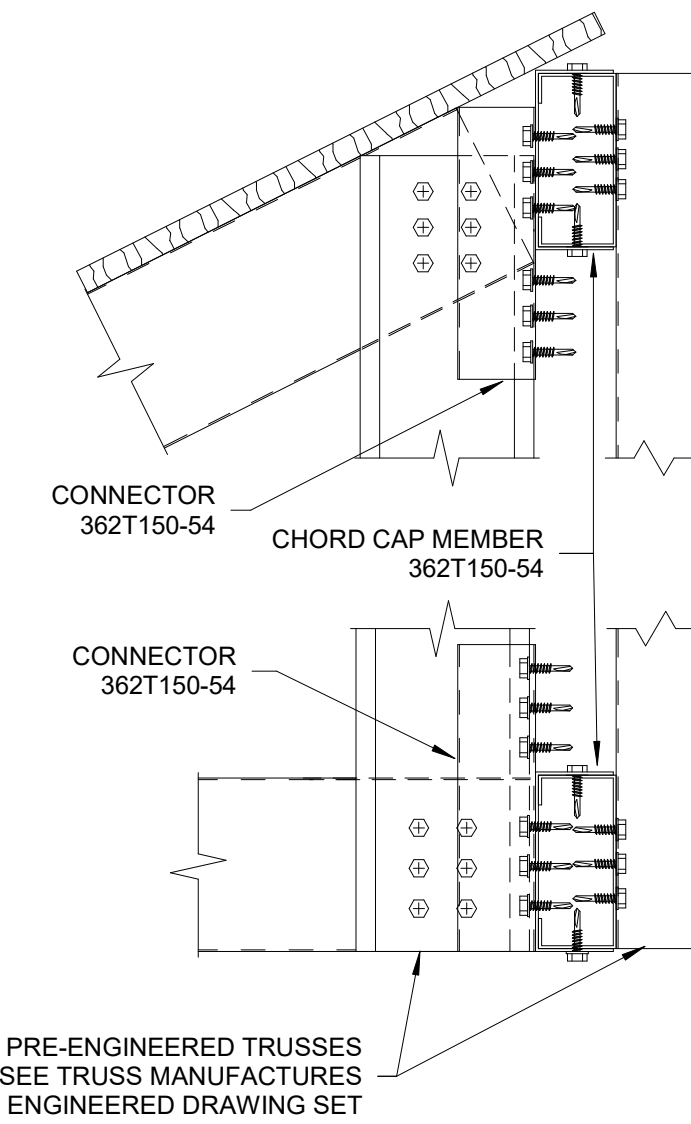
9 GABLE RAFTER TO TRUSS CHORD DETAIL
3" = 1'-0"



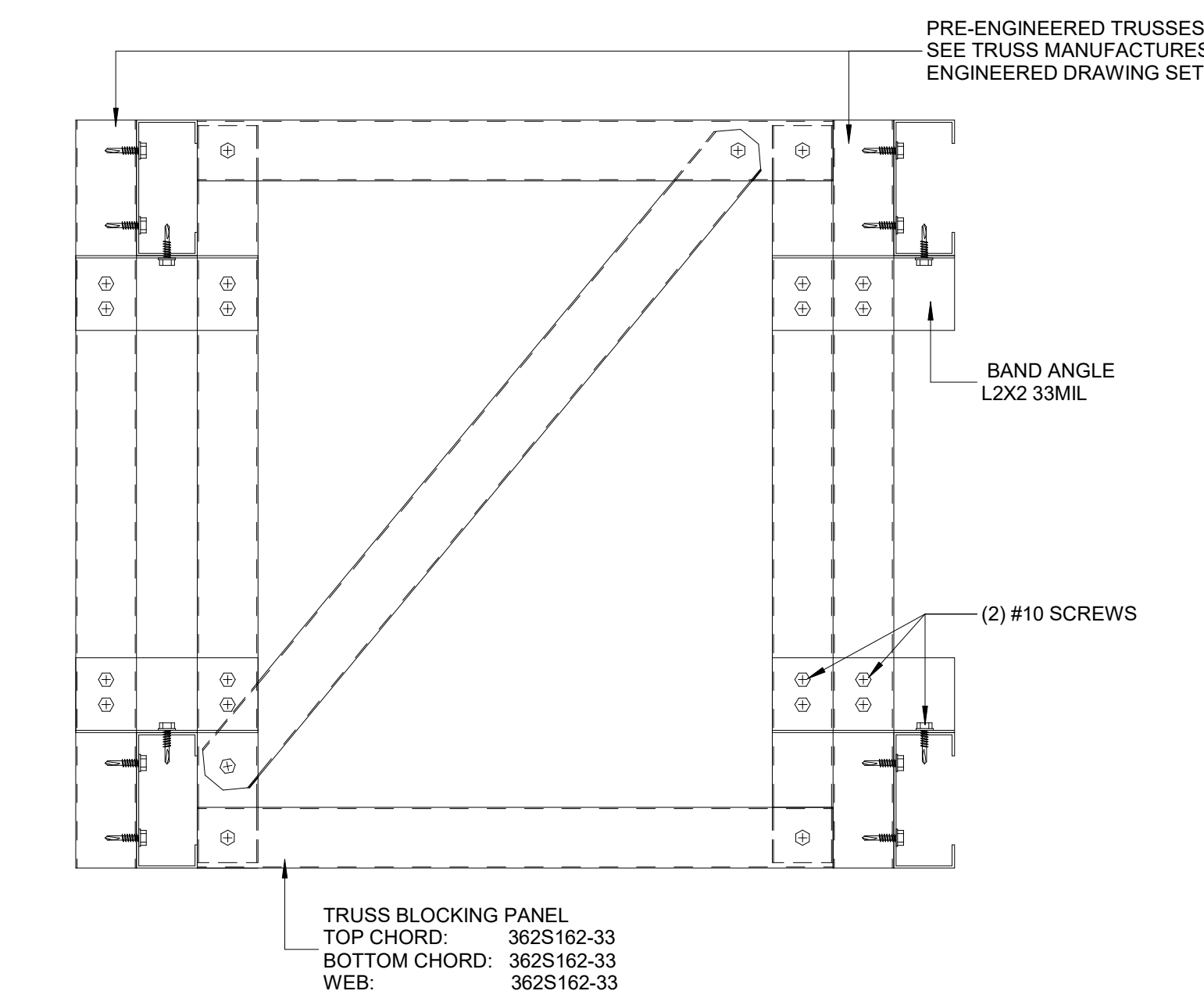
10 GABLE RAFTER TO TRUSS WEB POST DETAIL
3" = 1'-0"



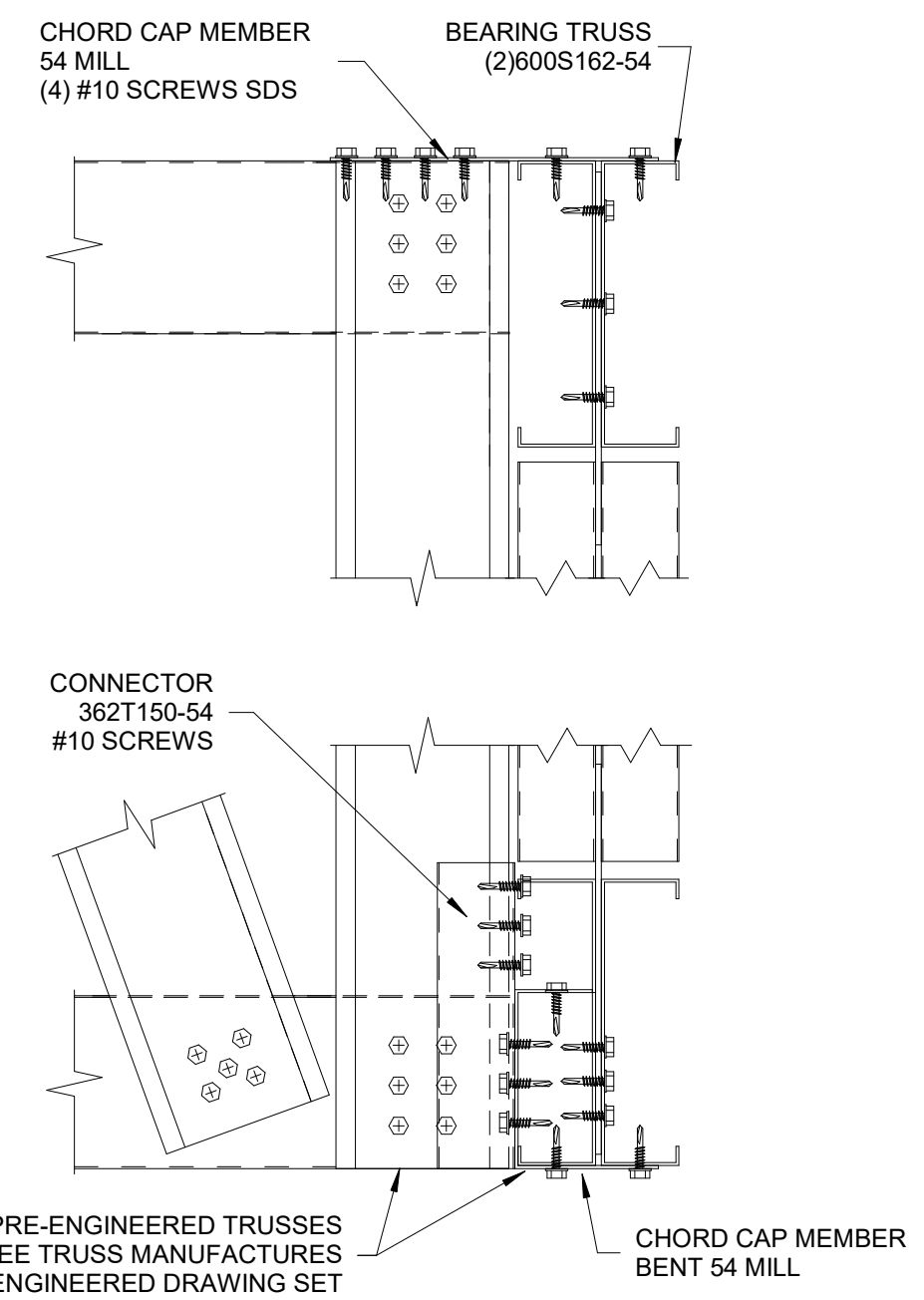
11 GABLE RAFTER TO TRUSS WEB POST DETAIL
3" = 1'-0"



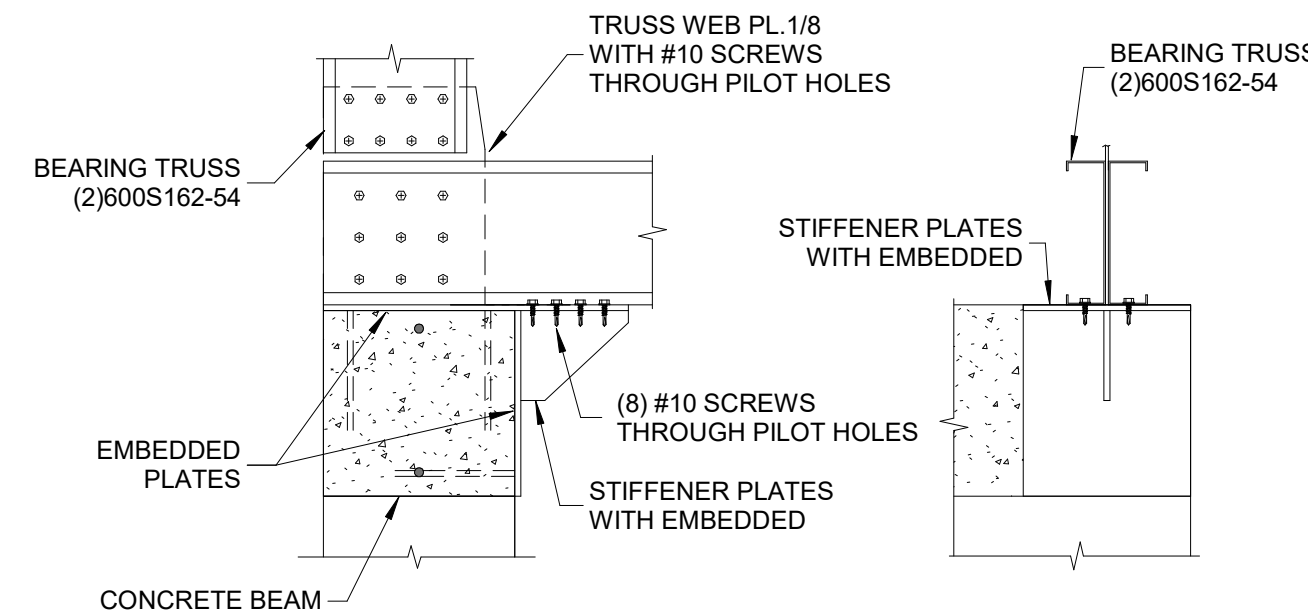
12 GABLE RAFTER TO TRUSS WEB POST DETAIL
3" = 1'-0"



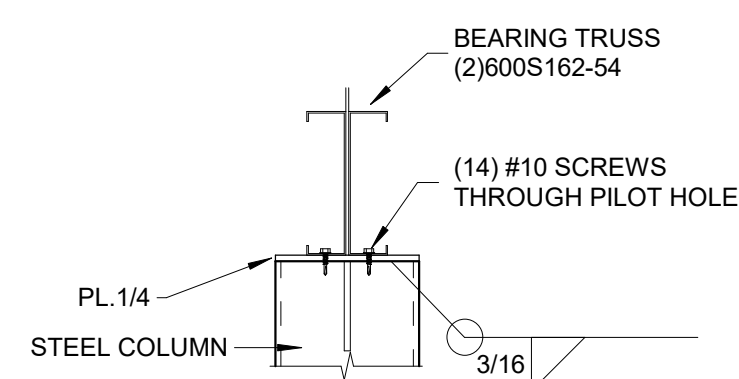
13 TRUSS BLOCKING DETAIL
3" = 1'-0"



14 TRUSS TO BEARING TRUSS DETAIL
3" = 1'-0"



15 BEARING TRUSS TO MASONRY WALL DETAIL
1 1/2" = 1'-0"



16 BEARING TRUSS TO STEEL COLUMN DETAIL
1 1/2" = 1'-0"

CARIBBEAN ROAD SPEC
198 CARIBBEAN ROAD
NAPLES, FLORIDA 34108

SHEET NUMBER:

S9

DRAWN BY

Author

CHECKED BY

Checker

PROJECT NUMBER

SHEET NAME:

STRUCTURAL
DETAILS